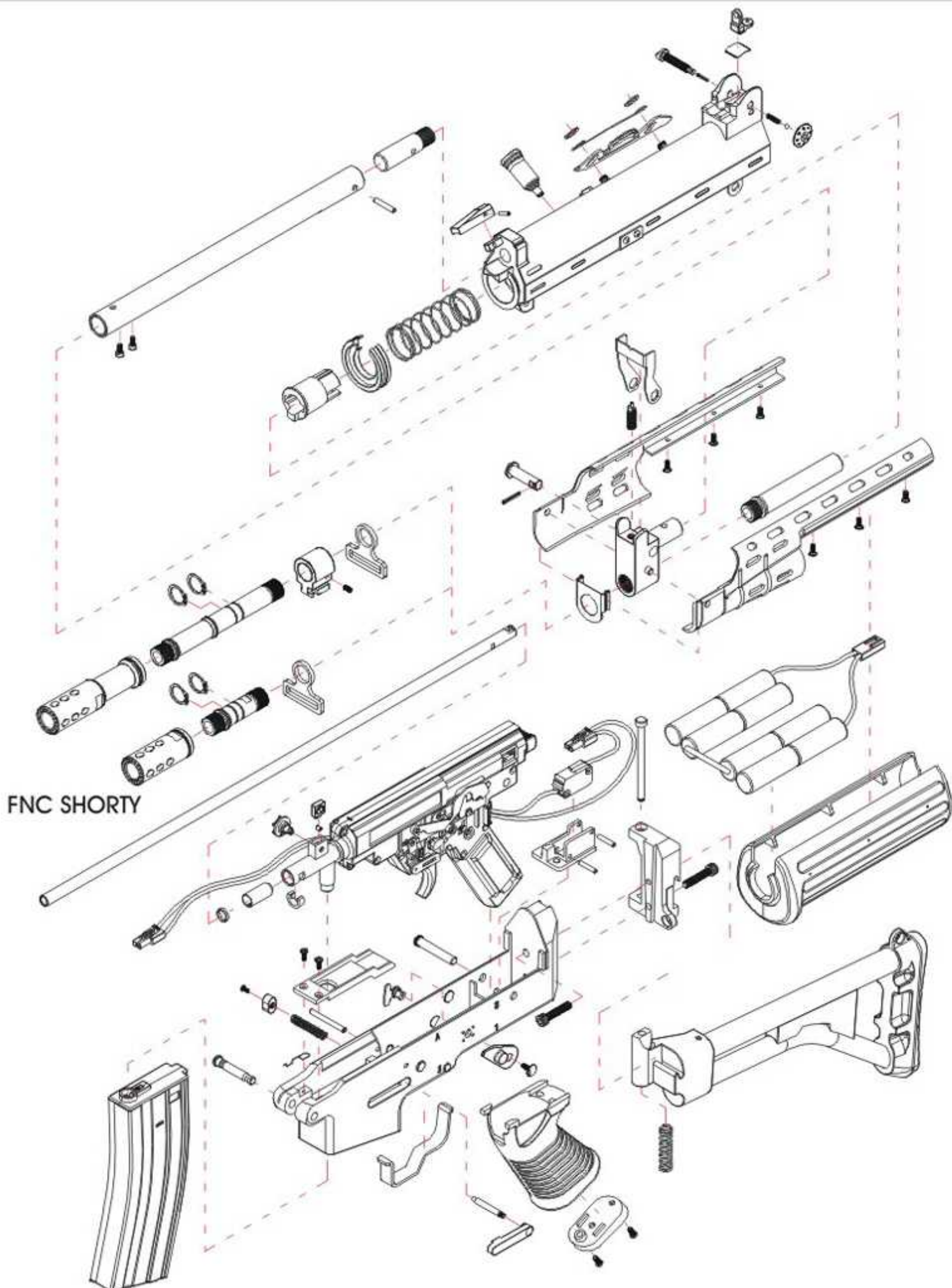


# STAR FN FNC / FNC SHORTY

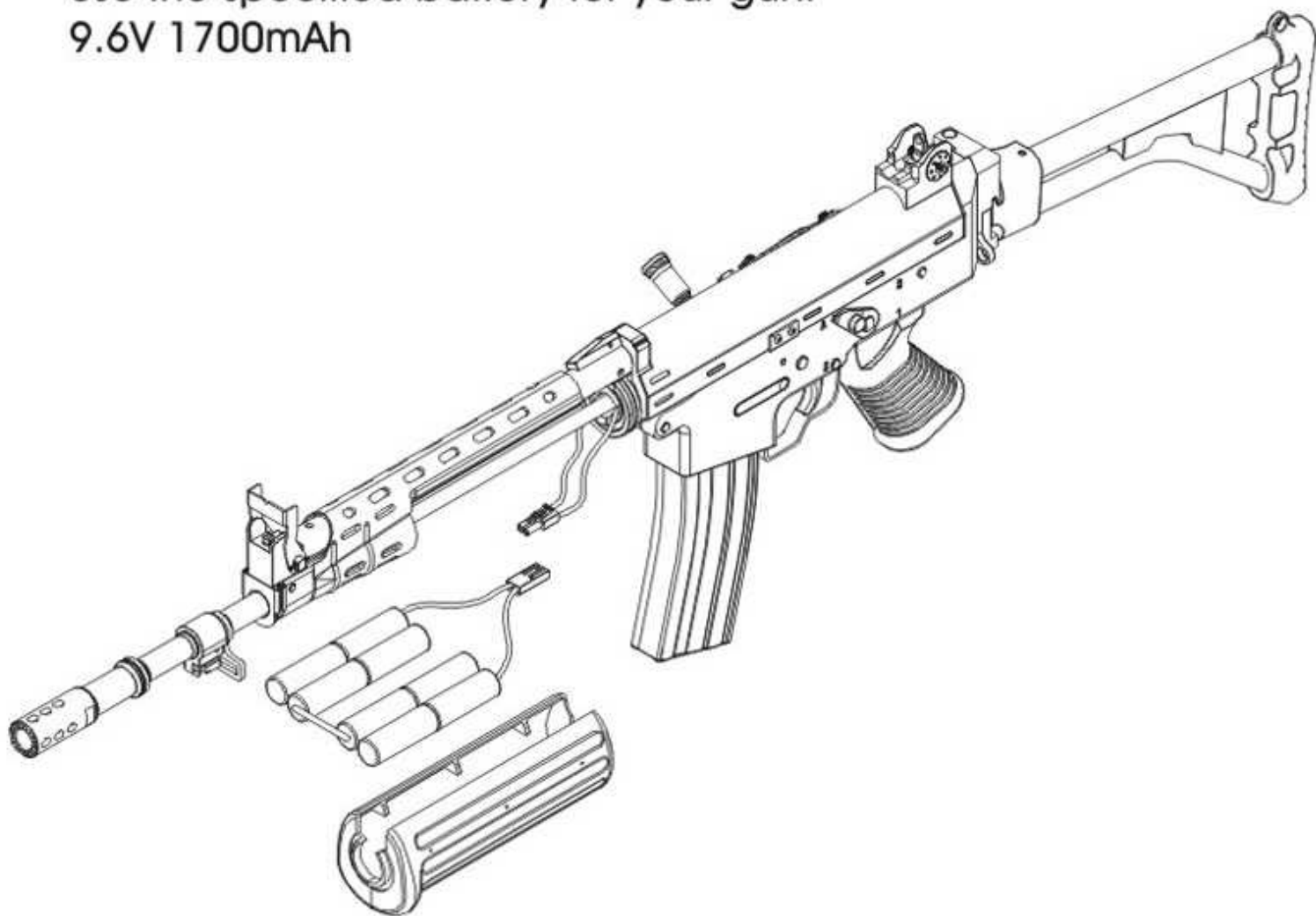


FNC SHORTY

## Insert the battery

Use the specified battery for your gun.

9.6V 1700mAh



## Setting the magazine



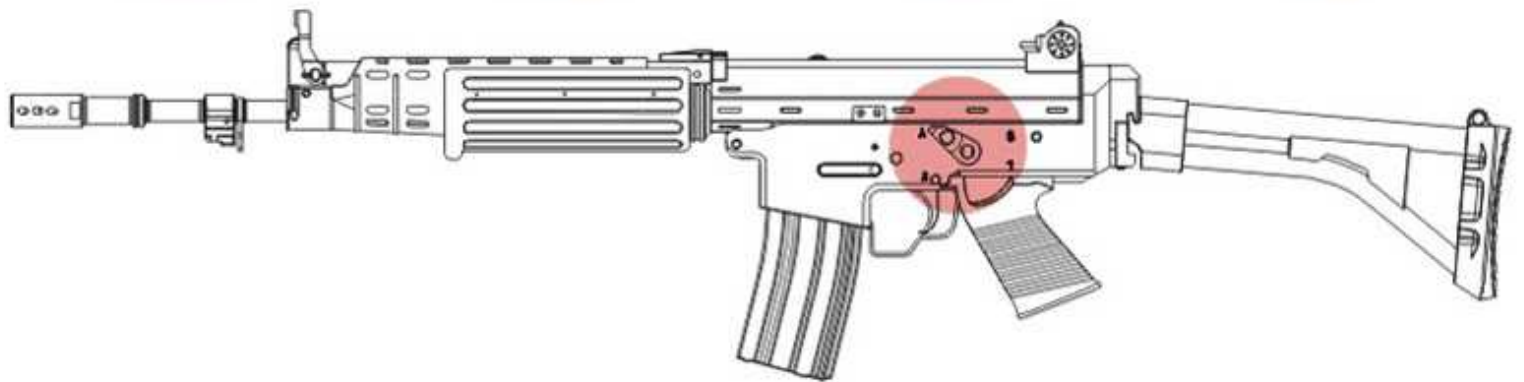
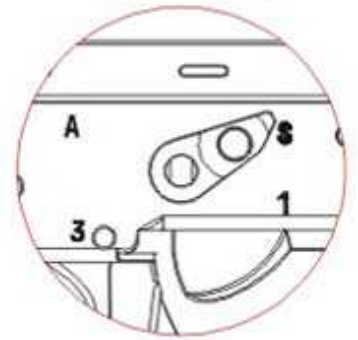
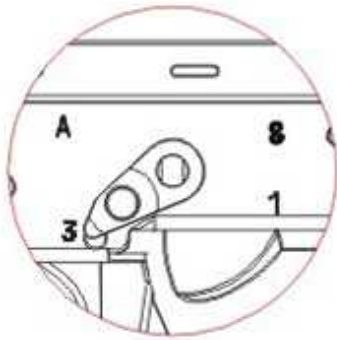
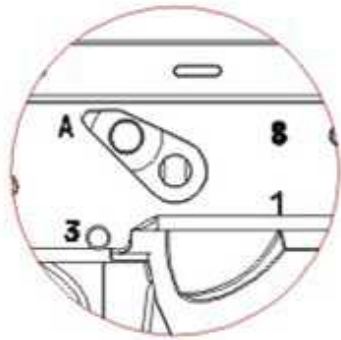
# Firing mode

Auto

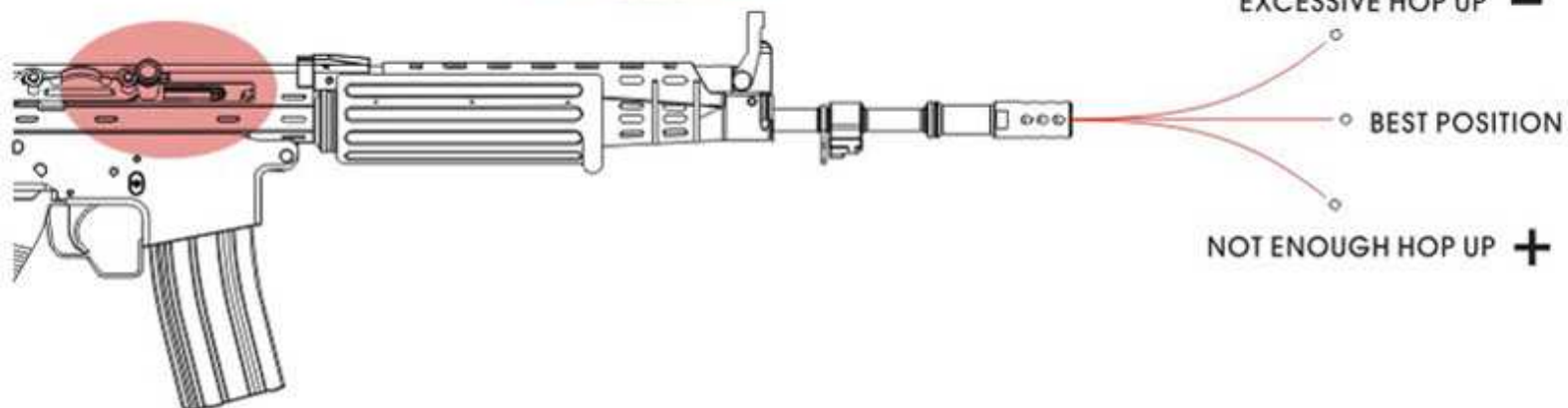
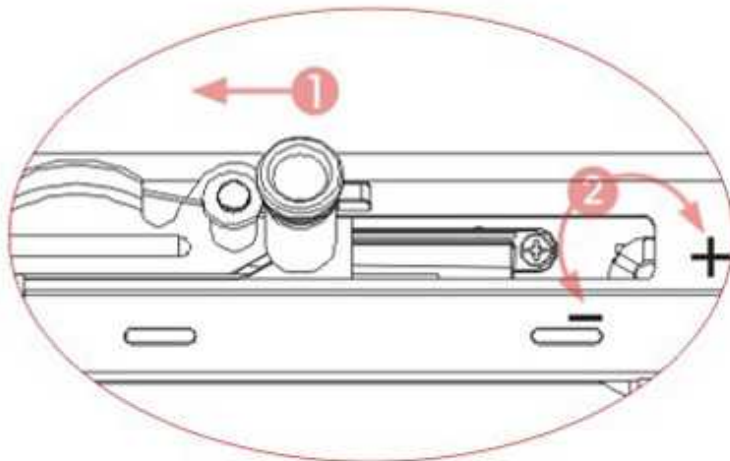
Burst

Single

Safety

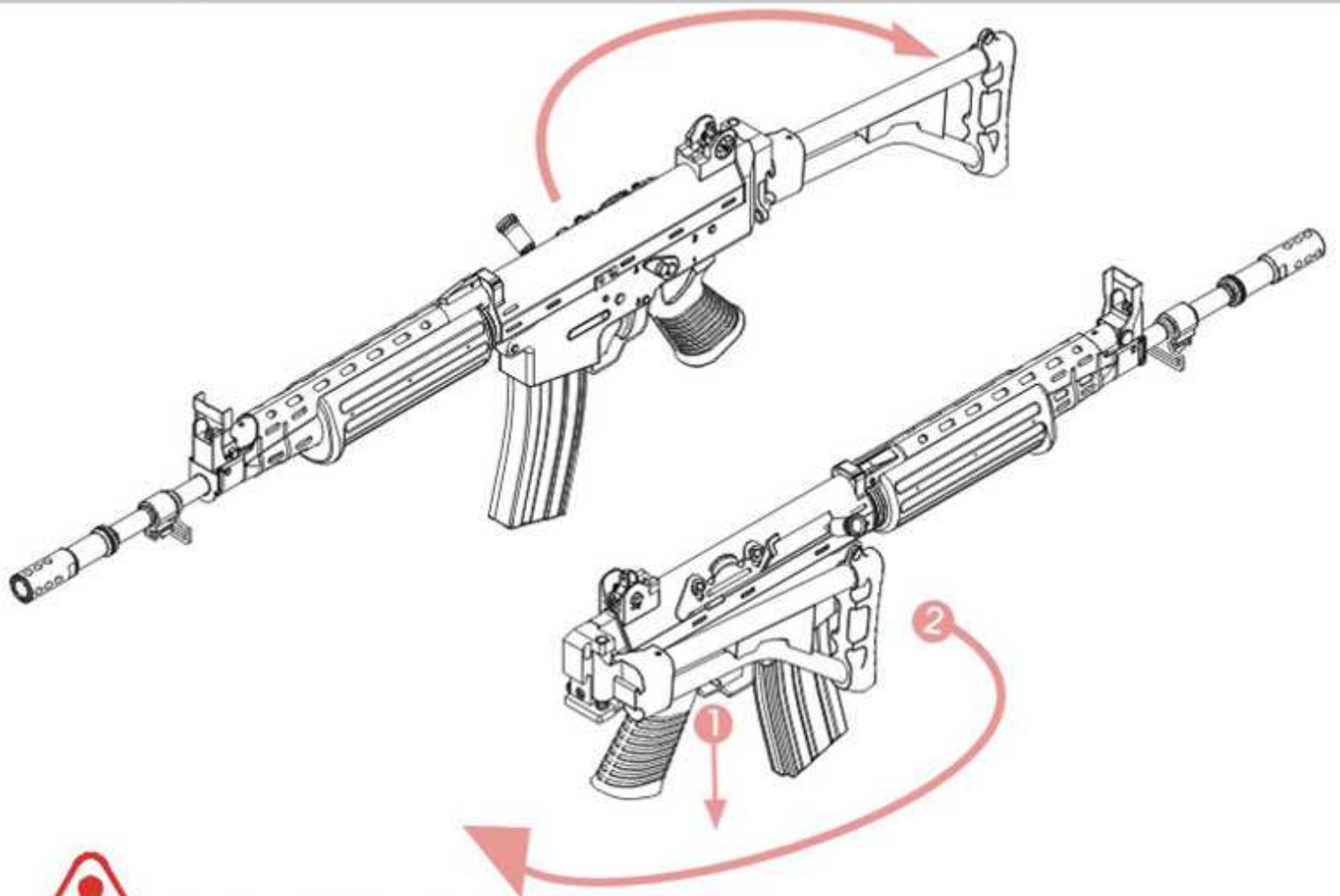


# Hop-up adjustment





# Folding Stock



**WARNING**



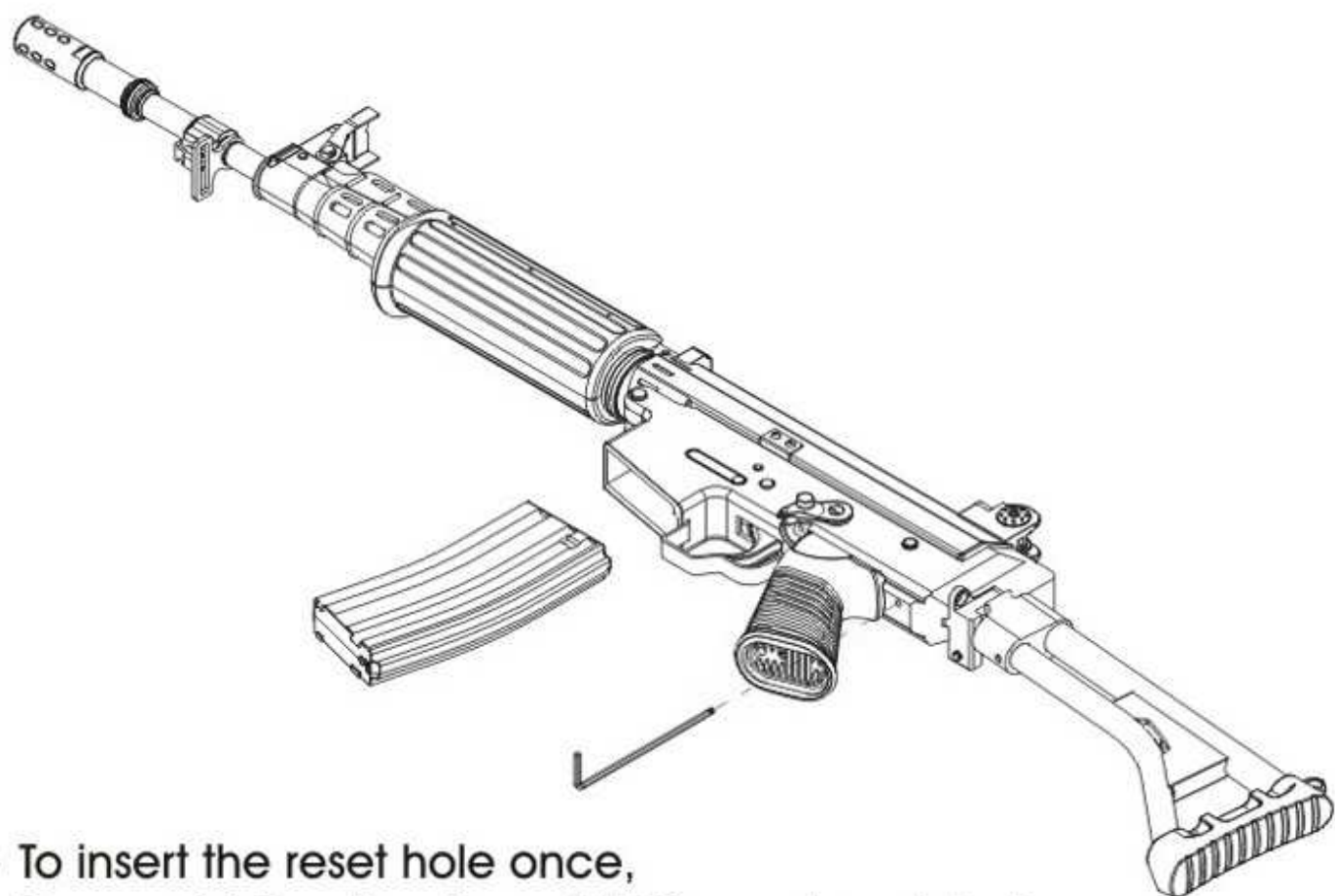
- . Do not aim or shoot a person or animal as the target.
- . Avoid pulling the trigger carelessly.
- . Always put the gun in a case or bag when you carrying it.
- . Always set the switch lever to the safety position.
- . Do not look into the gun muzzle.
- . Always wear eye protective gear.
- . Store the airsoft gun at the places out of reach by children.
- . Do not disassemble or modify the airsoft gun.

# Gear box reset

In unusual situation, the AEG may be locked.  
Use alien key or small stick , to insert the reset hole.  
The motor will run again.



- 1 > Remove the magazines,  
make sure no BB in the chamber.



- 2 > To insert the reset hole once,  
Be careful the direction of AEG muzzle pointed.

# **DATA OF STAR FN FNC ELECTRIC GUN**

**MATERIAL: NYLON FIBER & ALUMINUM ALLOY**

**HOPUP SYSTEM: ADJUSTABLE**

**LENGTH: 765MM/1005MM**

**LENGTH: 660MM/900MM ( SHORTY )**

**WEIGHT: 3840G**

**WEIGHT: 3730G ( SHORTY )**

**MAGAZINE CAPACITY: 130 ROUNDS**

**BULLET: 6MM BB BULLETS**

**BATTERY: 9.6V 1700MAH**

**MOTOR: HIGH TORQUE FLAT MOTOR**

