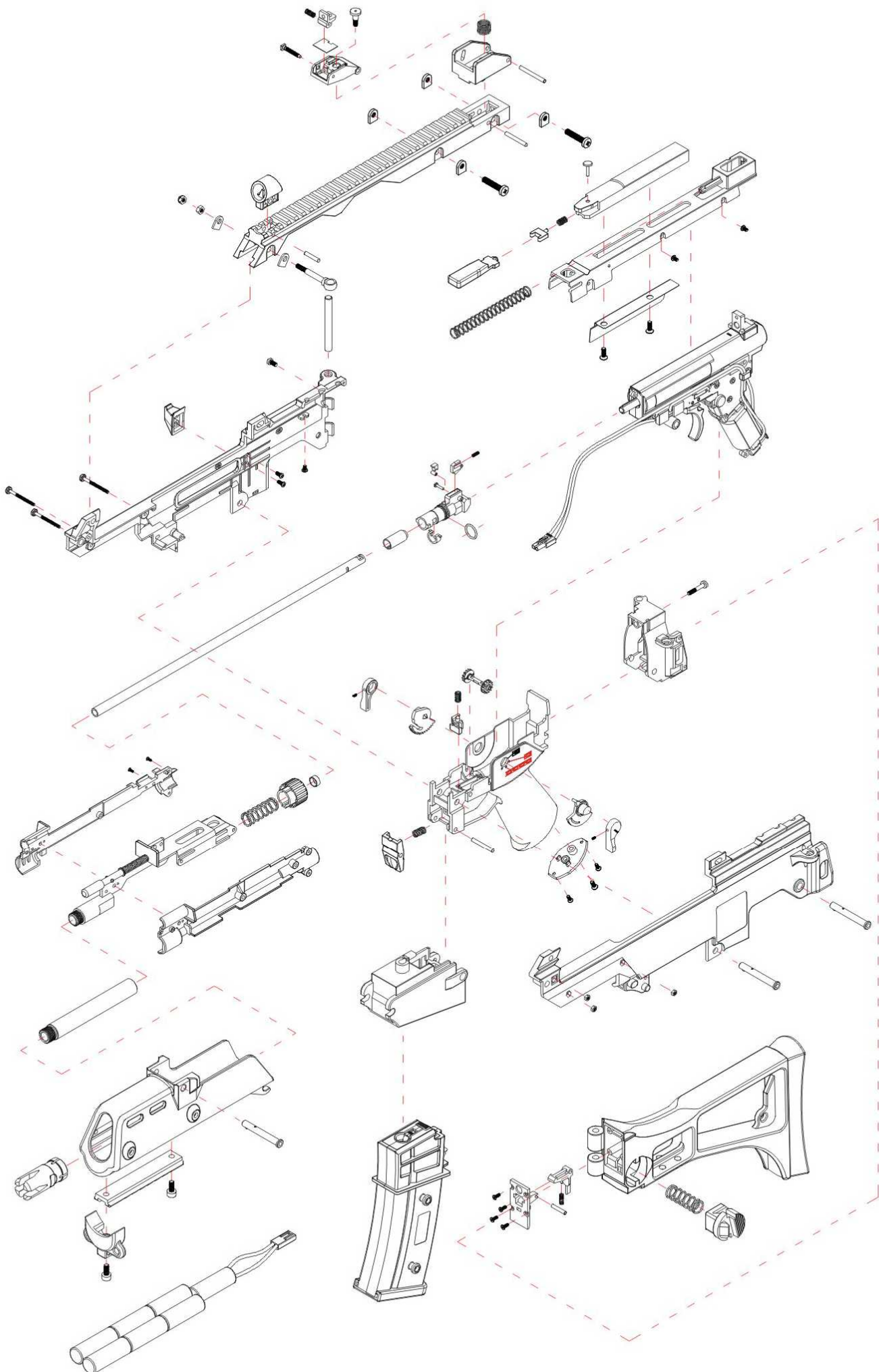


# HK G36C

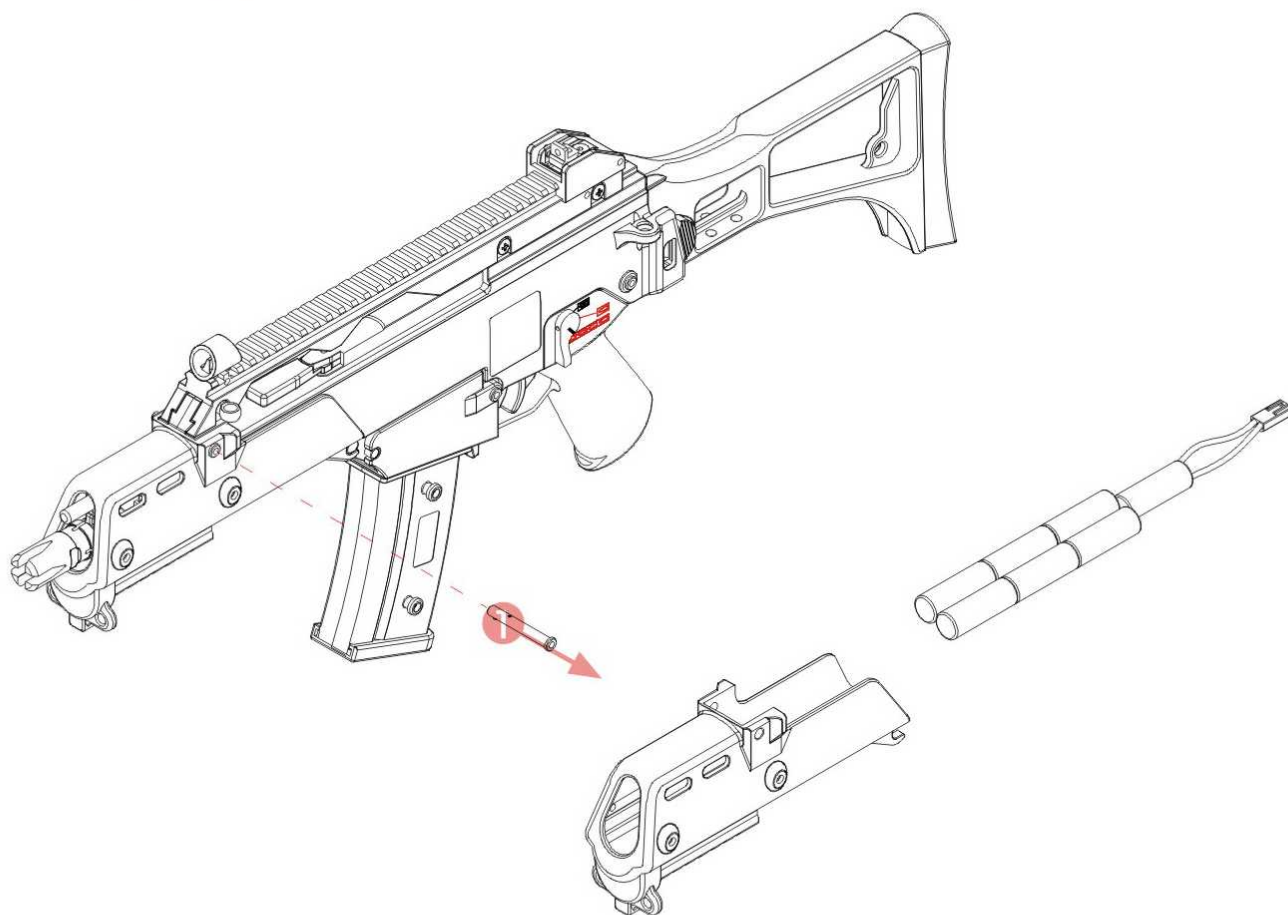


# STAR HK G36C

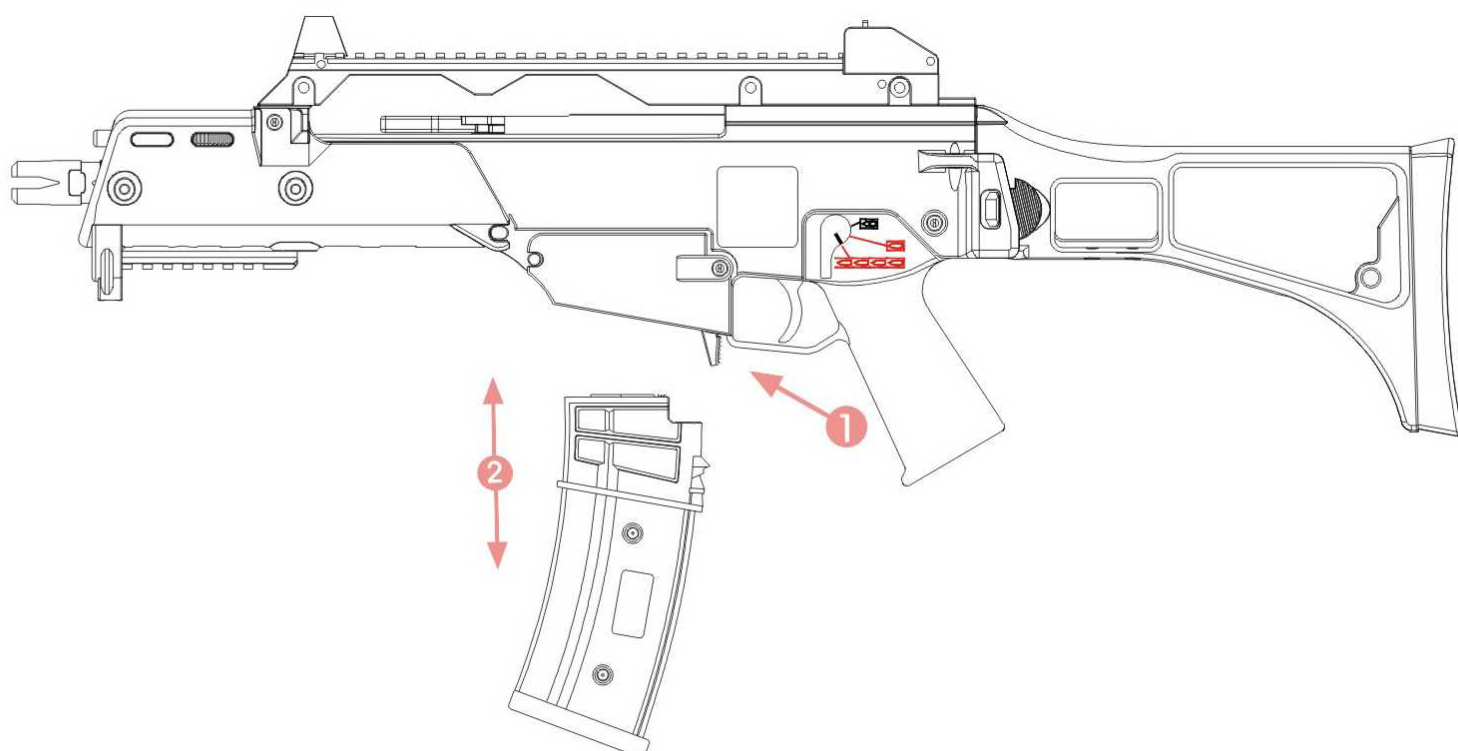


# Insert the battery

Use the specified battery for your gun.  
8.4V 1700mAh

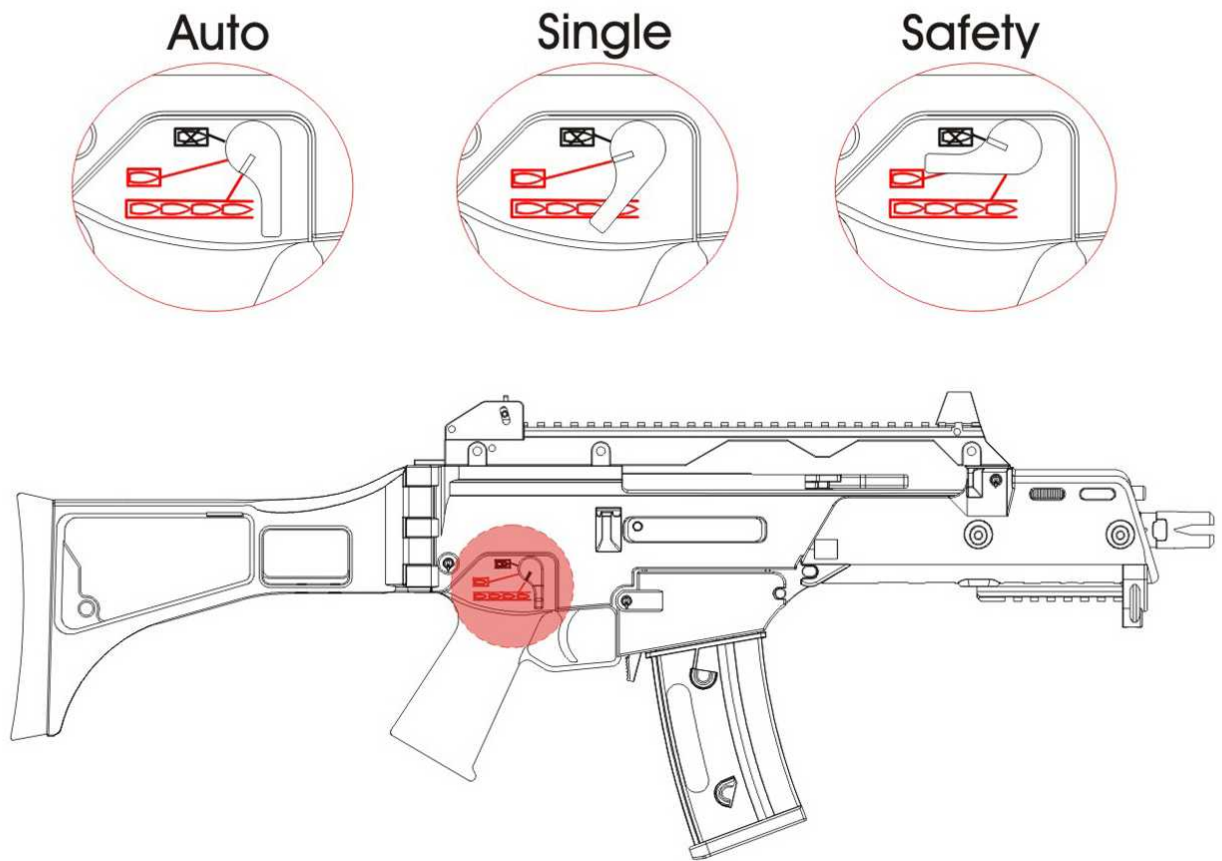


# Setting the magazine

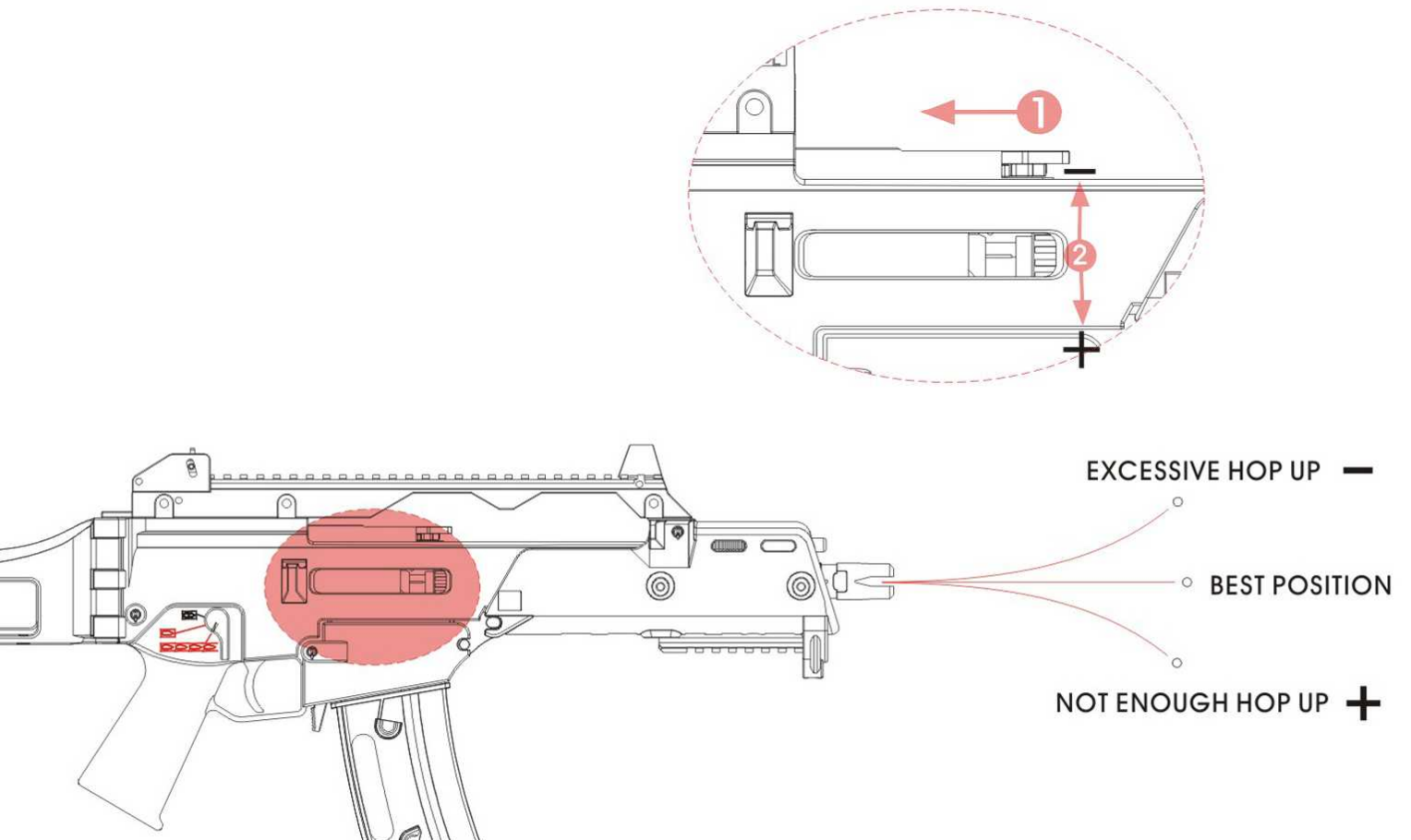




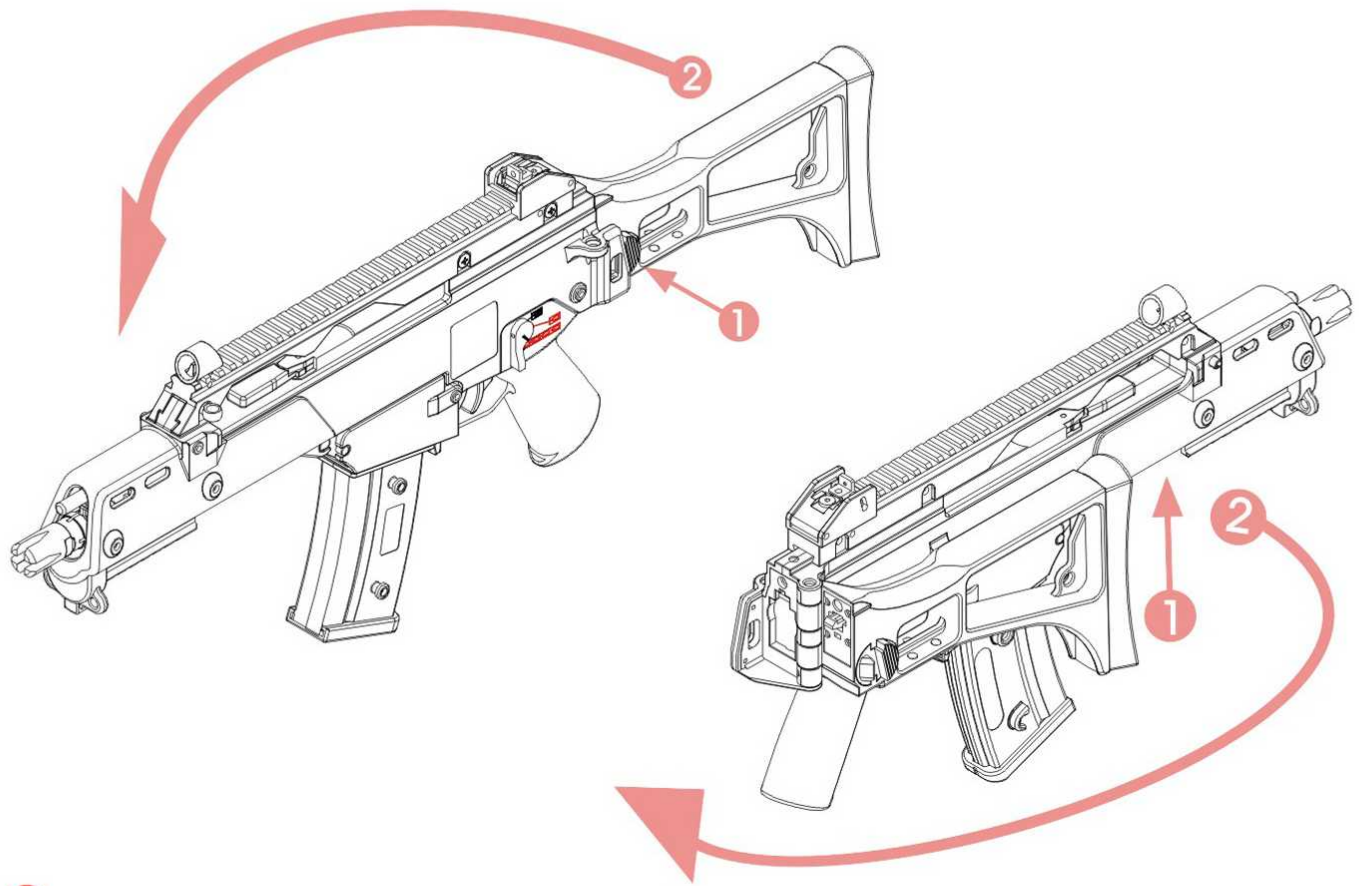
# Firing mode



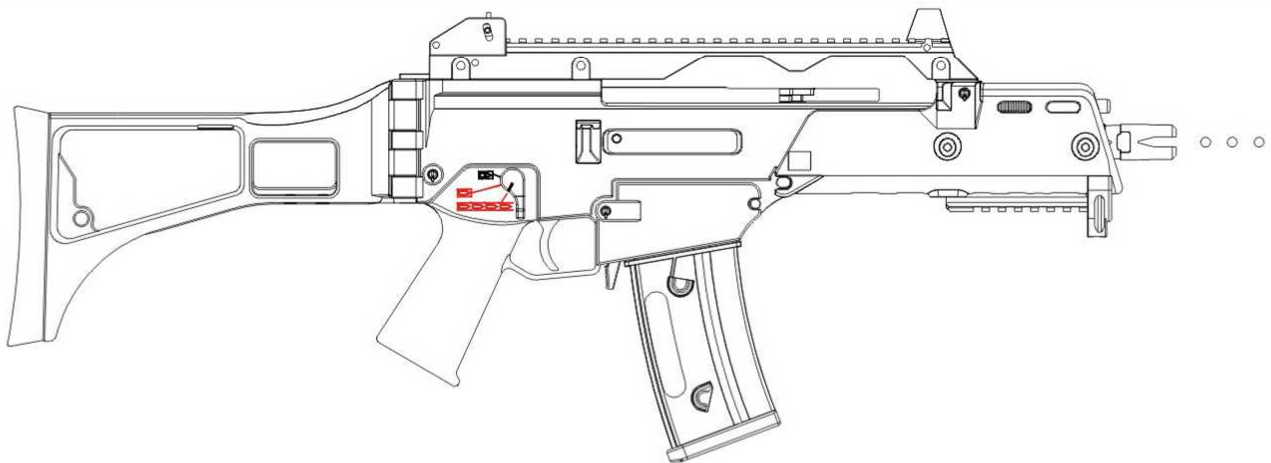
# Hop-up adjustment



# Folding Stock



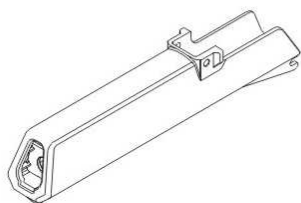
## WARNING



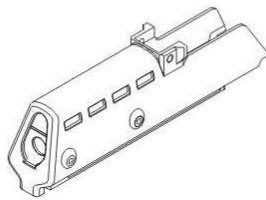
- .Do not aim or shoot a person or animal as the target.
- .Avoid pulling the trigger carelessly.
- .Always put the gun in a case or bag when you carrying it.
- .Always set the switch lever to the safety position.
- .Do not look into the gun muzzle.
- .Always wear eye protective gear.
- .Store the airsoft gun at the places out of reach by children.
- .Do not disassemble or modify the airsoft gun.

# Optional accessories

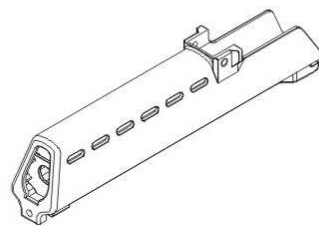
SI-8 Handguard



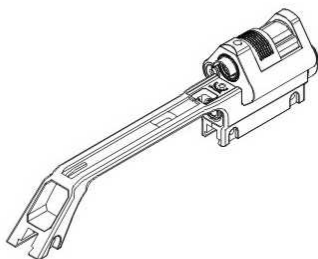
G36KE over size Handguard



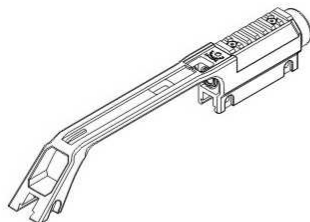
G36 real size Handguard



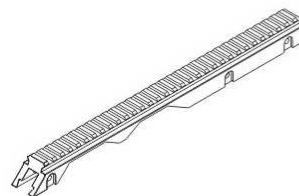
G36 Dual Sighting Handle



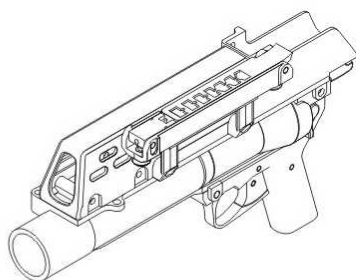
G36 Sighting Handle



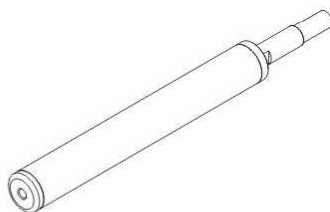
G36 Rail Mount Base



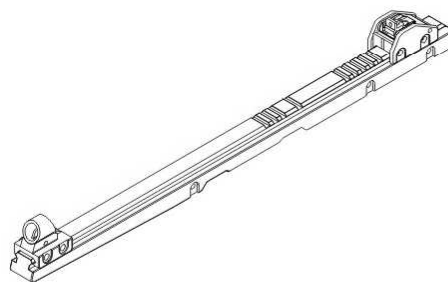
Ag36 Grenade Launcher



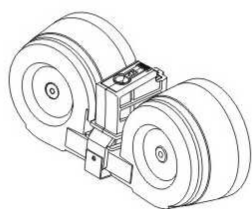
Sound Suppressor



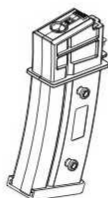
SI-8 Long Sight Rail



2000 Rds C-Mag



470 Rds Mag



20 Rds Mag



# **DATA OF STAR HK G36C ELECTRIC GUN**

**MATERIAL: NYLON FIBER & ZINC ALLOY**

**HOPUP SYSTEM: ADJUSTABLE**

**LENGTH: 505MM / 735MM ( STOCK EXTENDED)**

**WEIGHT: 2750G**

**MAGAZINE CAPACITY: 140 ROUNDS**

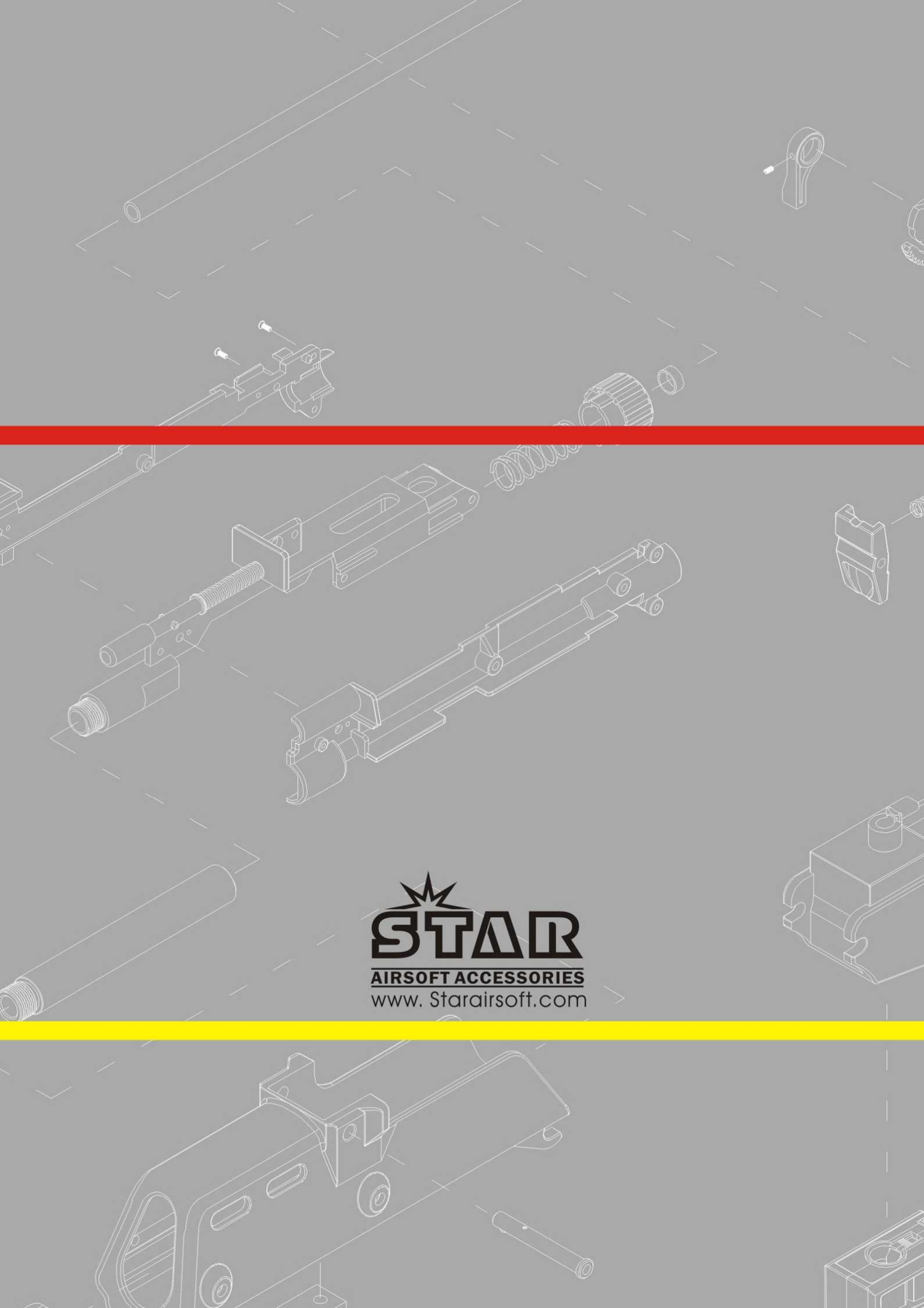
**BULLET: 6MM BB BULLETS**

**BATTERY: 8.4V 1700mAh**

**MOTOR: HIGH TORQUE FLAT MOTOR**







**STAR**  
**AIRSOFT ACCESSORIES**  
[www.Starairsoft.com](http://www.Starairsoft.com)