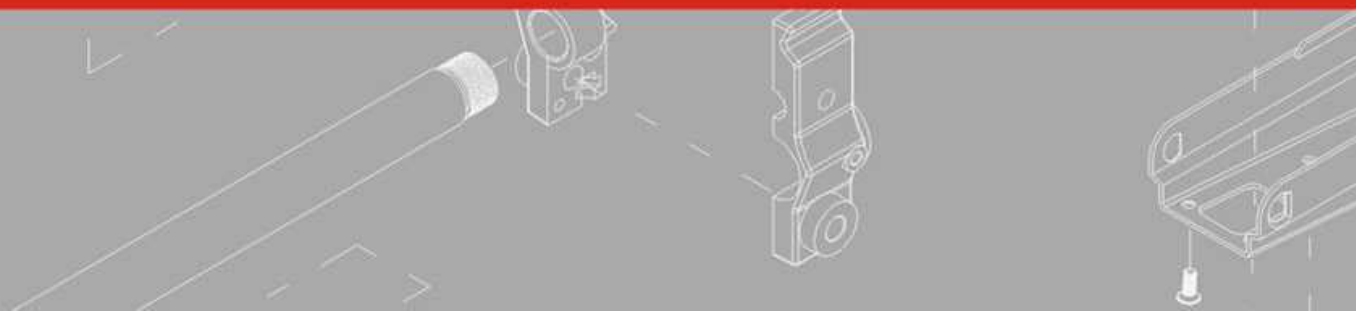


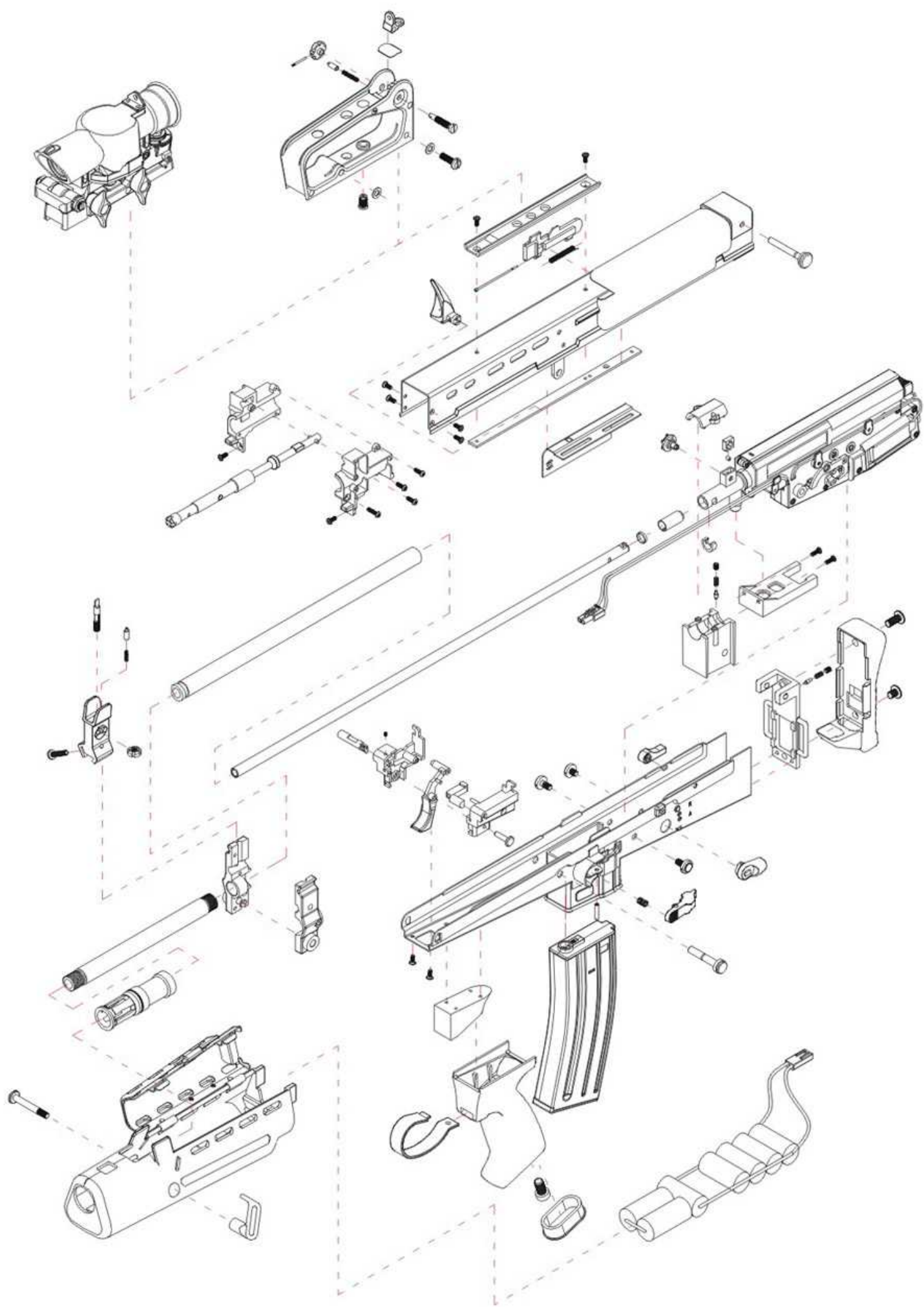
STAR
AIRSOFT ACCESSORIES
www.Starairsoft.com



L85 A2

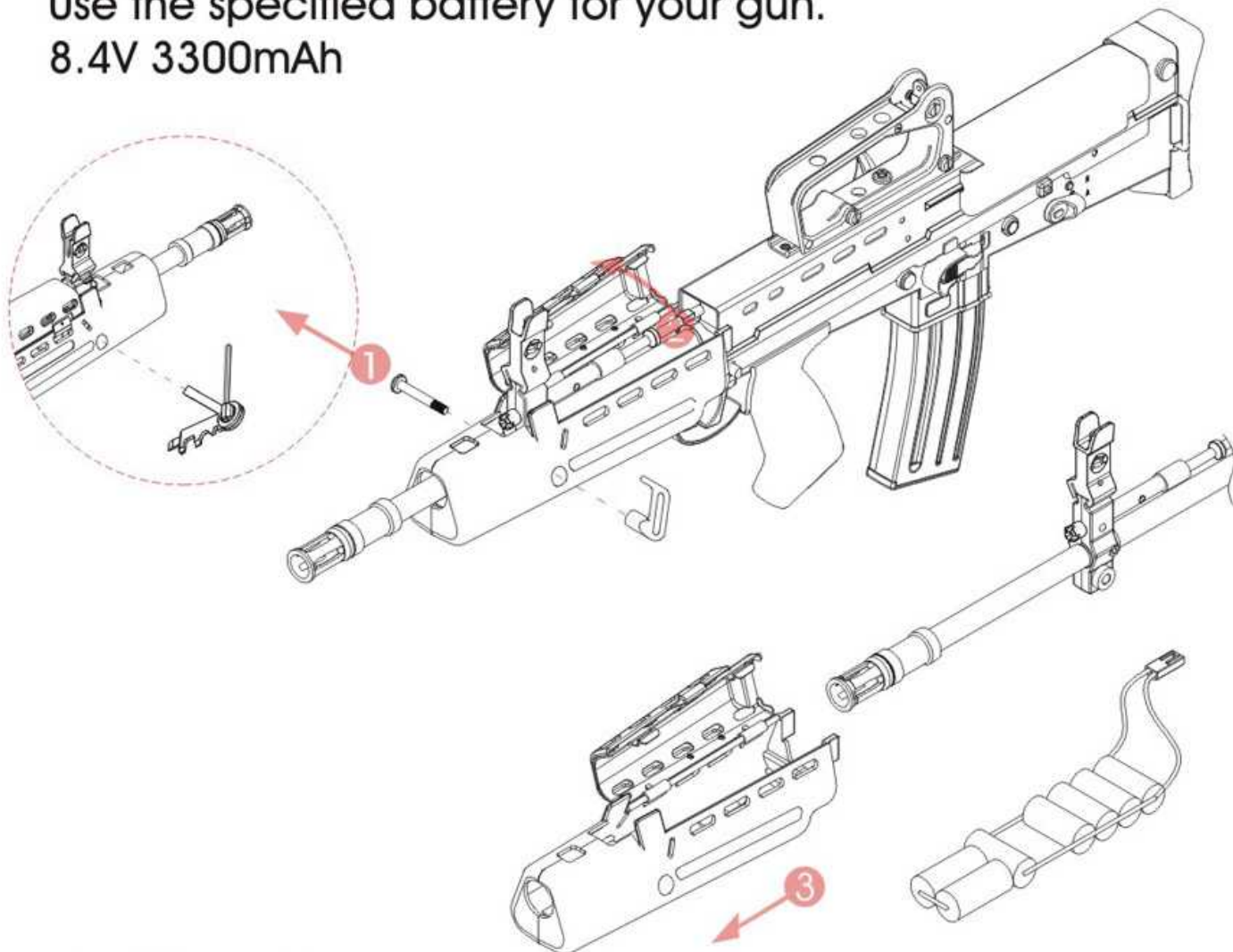


STAR L85 A2

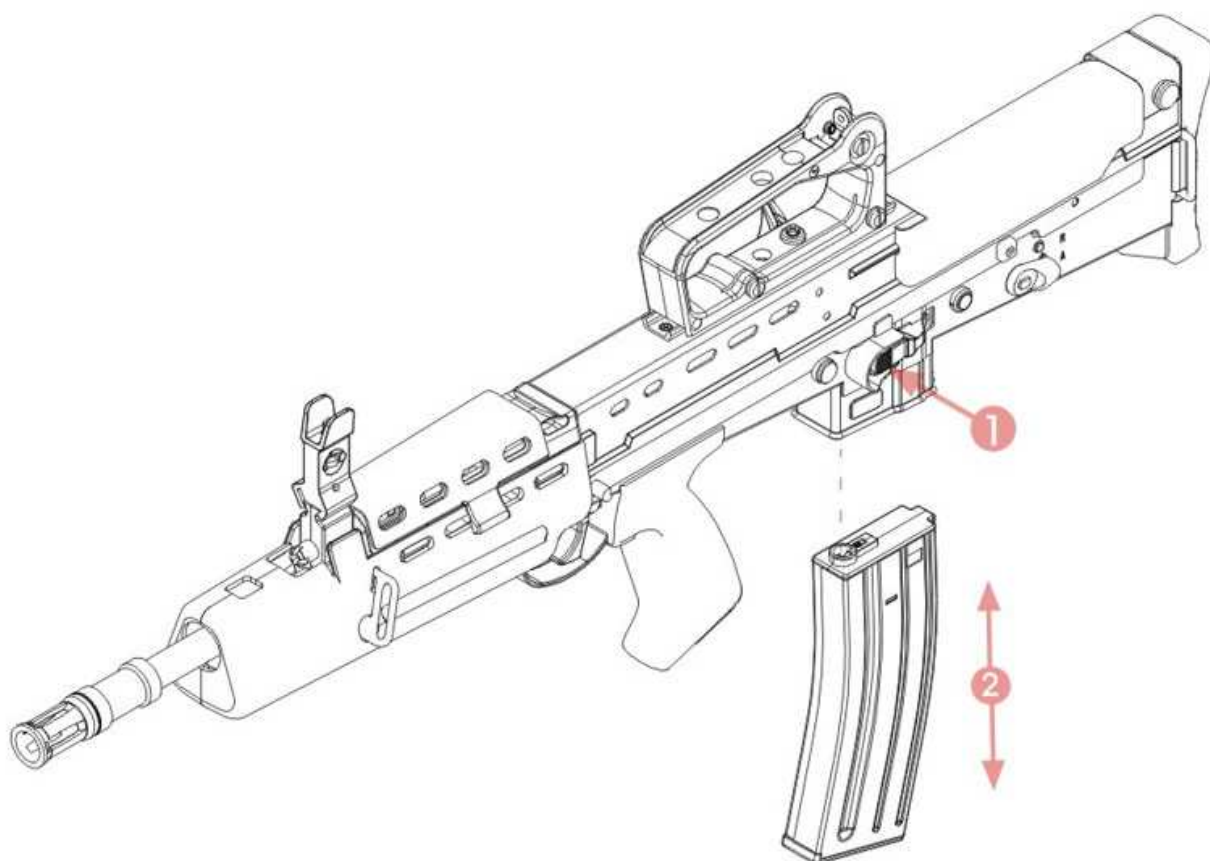


Insert the battery

Use the specified battery for your gun.
8.4V 3300mAh



Setting the magazine



Firing mode

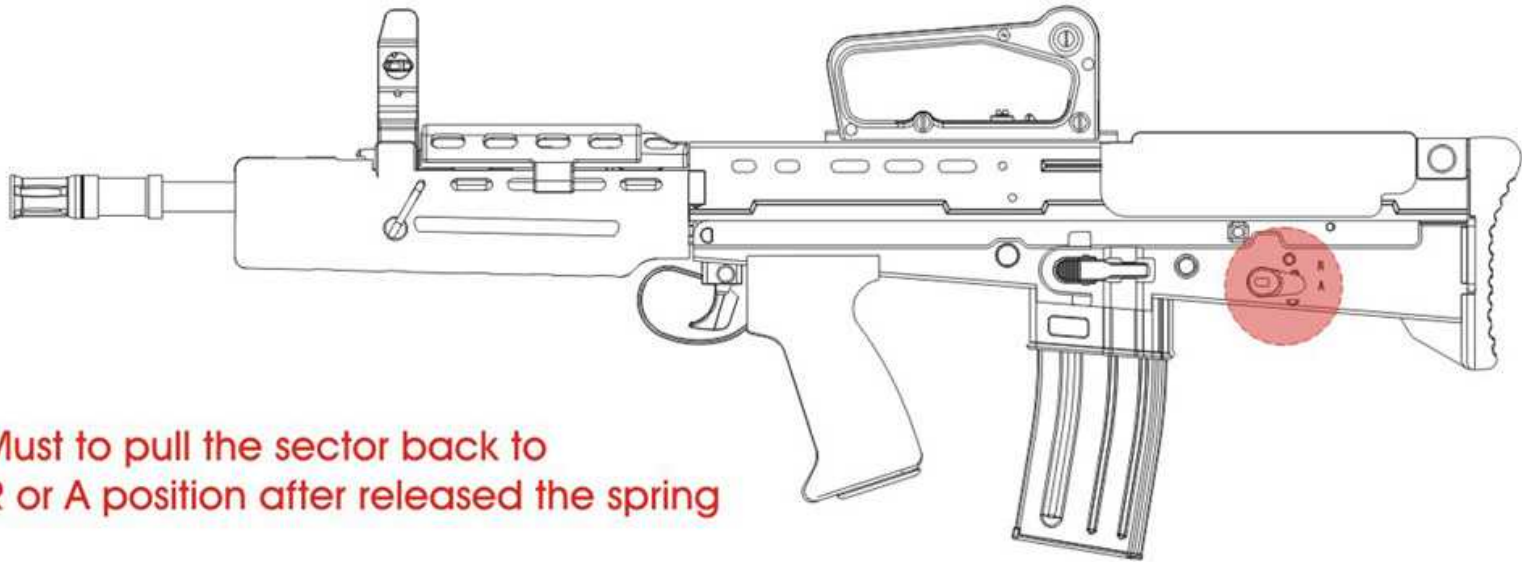
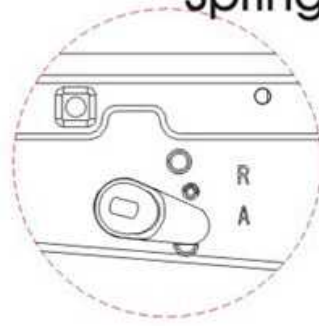
Single



Auto

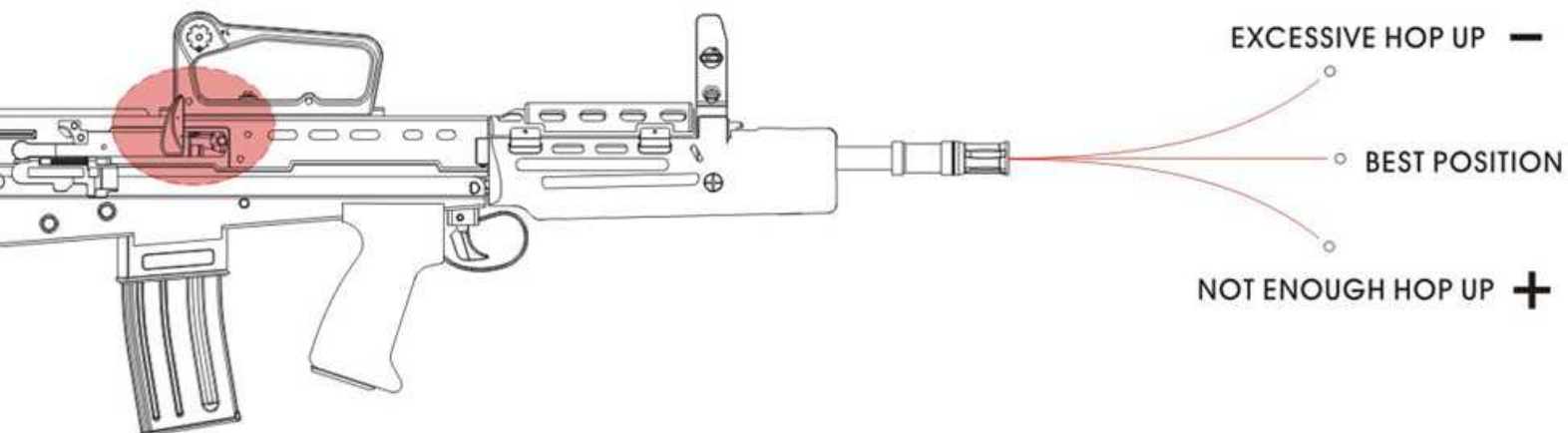
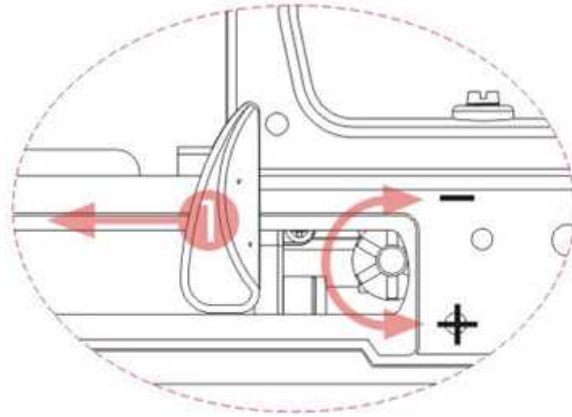


Spring release



* Must to pull the sector back to R or A position after released the spring

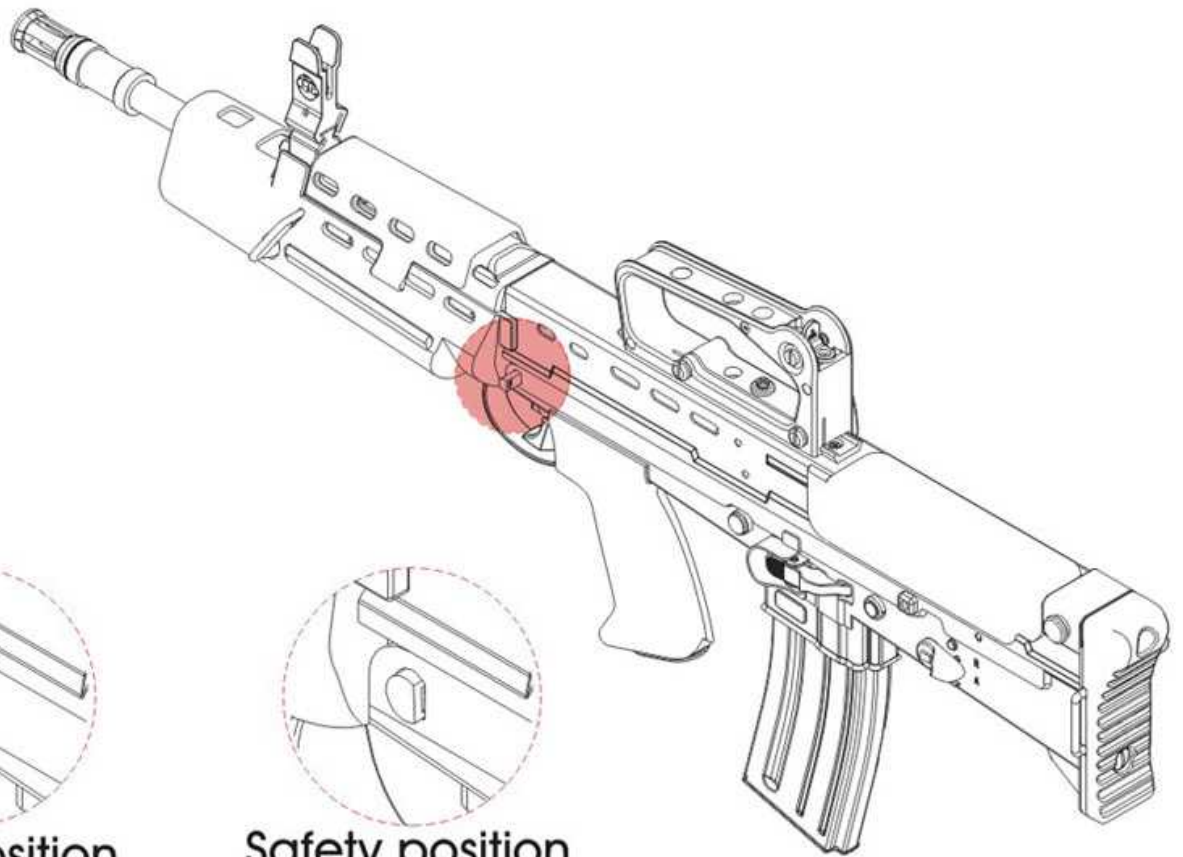
Hop-up adjustment



EXCESSIVE HOP UP -

BEST POSITION

NOT ENOUGH HOP UP +

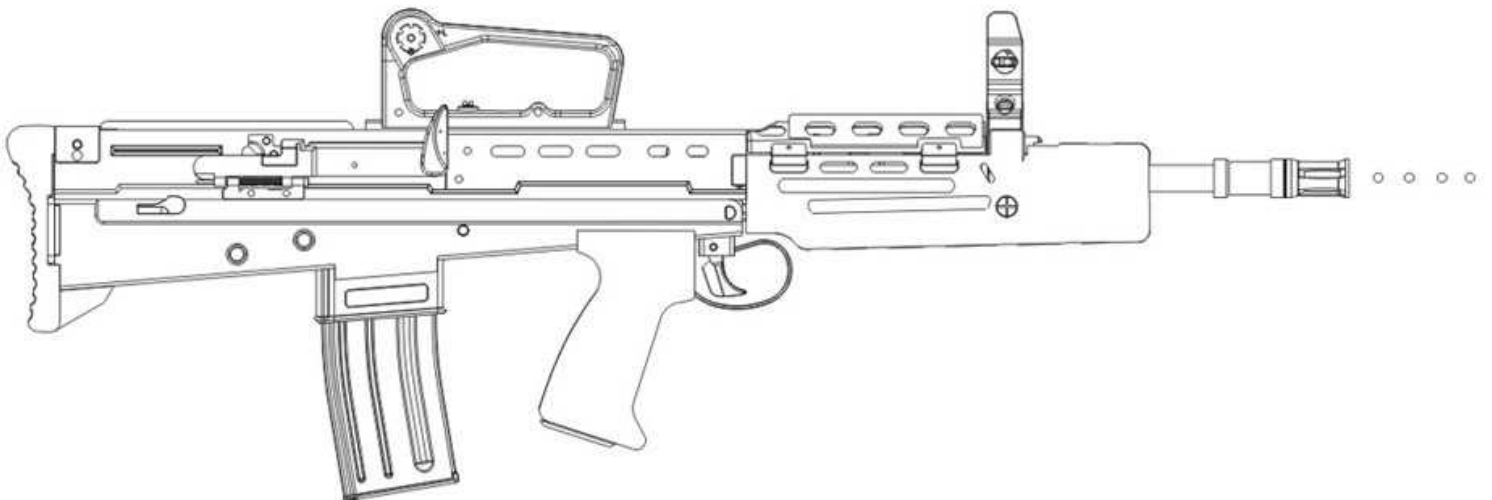


Firing position

Safety position



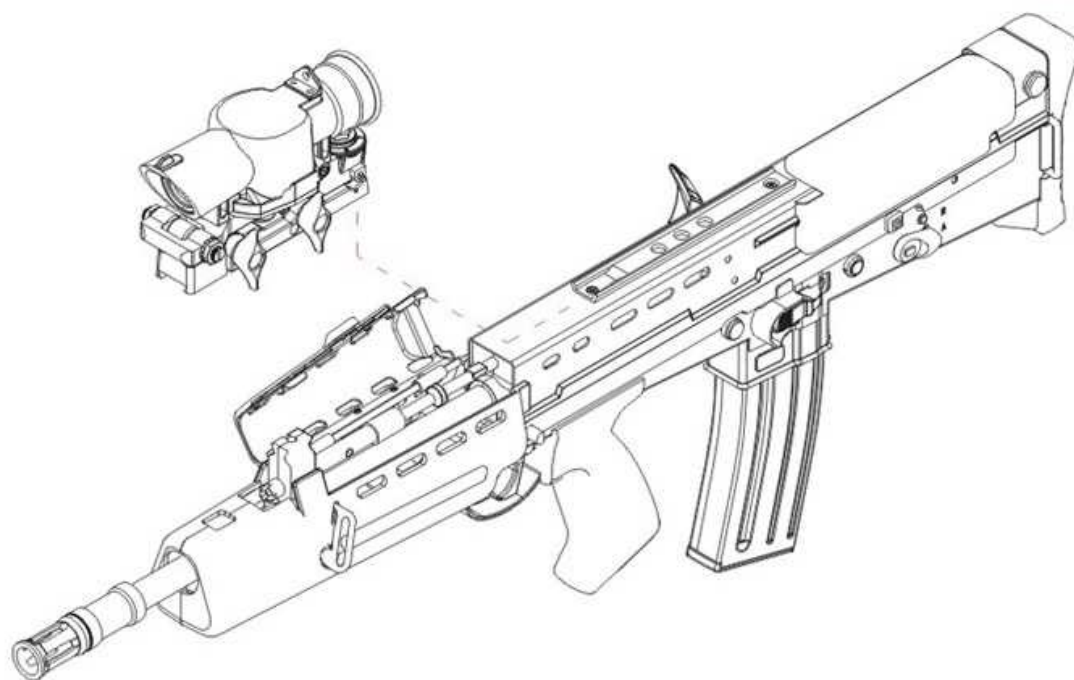
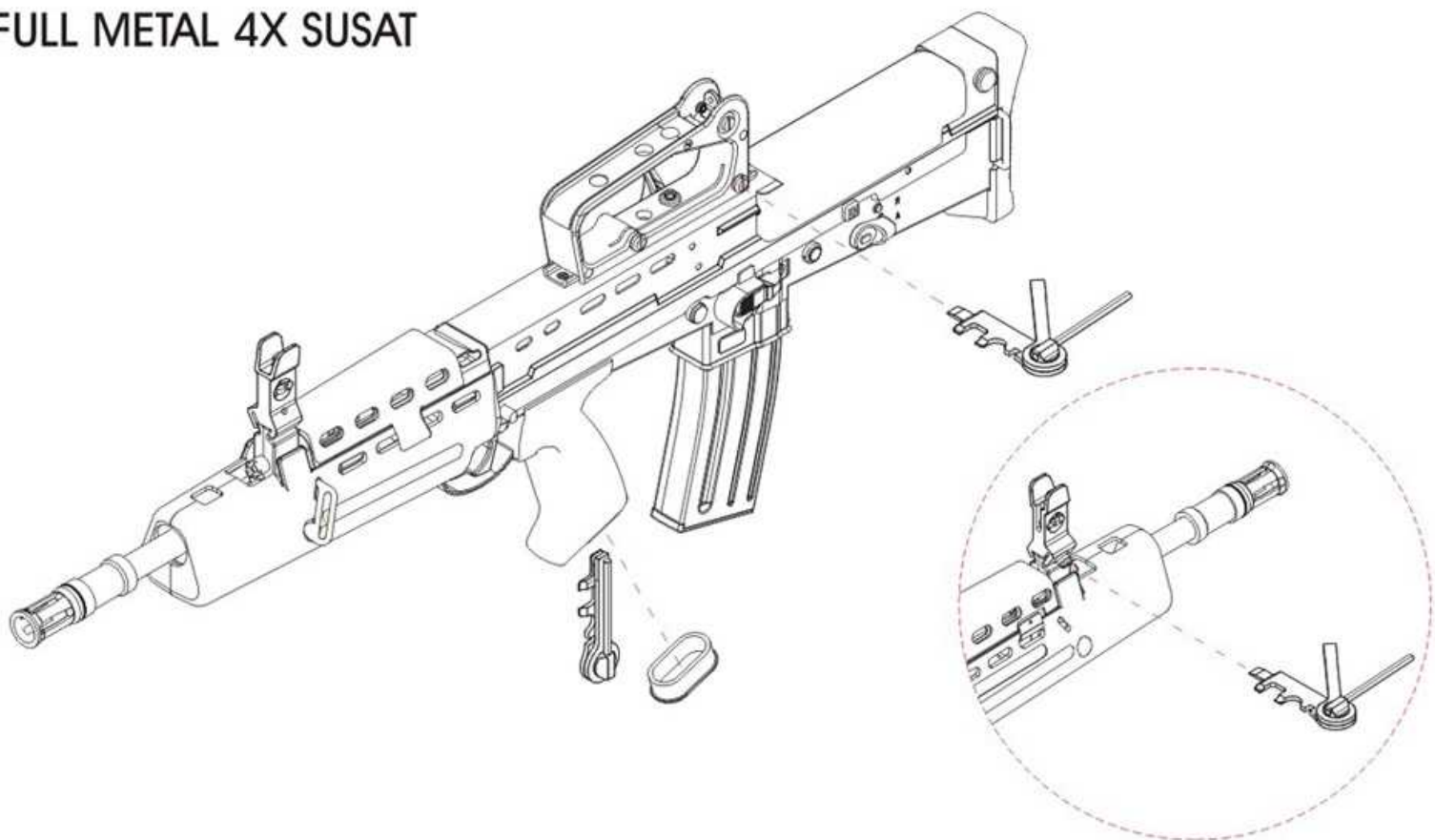
WARNING



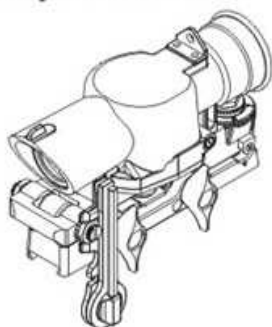
- .Do not aim or shoot a person or animal as the target.
- .Avoid pulling the trigger carelessly.
- .Always put the gun in a case or bag when you carrying it.
- .Always set the switch lever to the safety position.
- .Do not look into the gun muzzle.
- .Always wear eye protective gear.
- .Store the airsoft gun at the places out of reach by children.
- .Do not disassemble or modify the airsoft gun.

Optional accessories

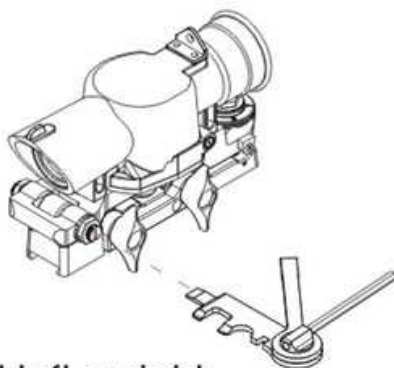
FULL METAL 4X SUSAT



Susat adjustment:



Loose the nut



Adjust left or right



Adjust up or down

DATA OF L85 A2 ELECTRIC GUN

MATERIAL: NYLON FIBER & STEEL

HOPUP SYSTEM: ADJUSTABLE

LENGTH: 773MM

WEIGHT: 3900G (WITH IRON SIGHT)

WEIGHT: 4300G (WITH SUSAT SCOPE)

MAGAZINE CAPACITY: 130 ROUNDS

BULLET: 6MM BB BULLETS

BATTERY: 8.4V 3300MAH

MOTOR: HIGH TORQUE FLAT MOTOR