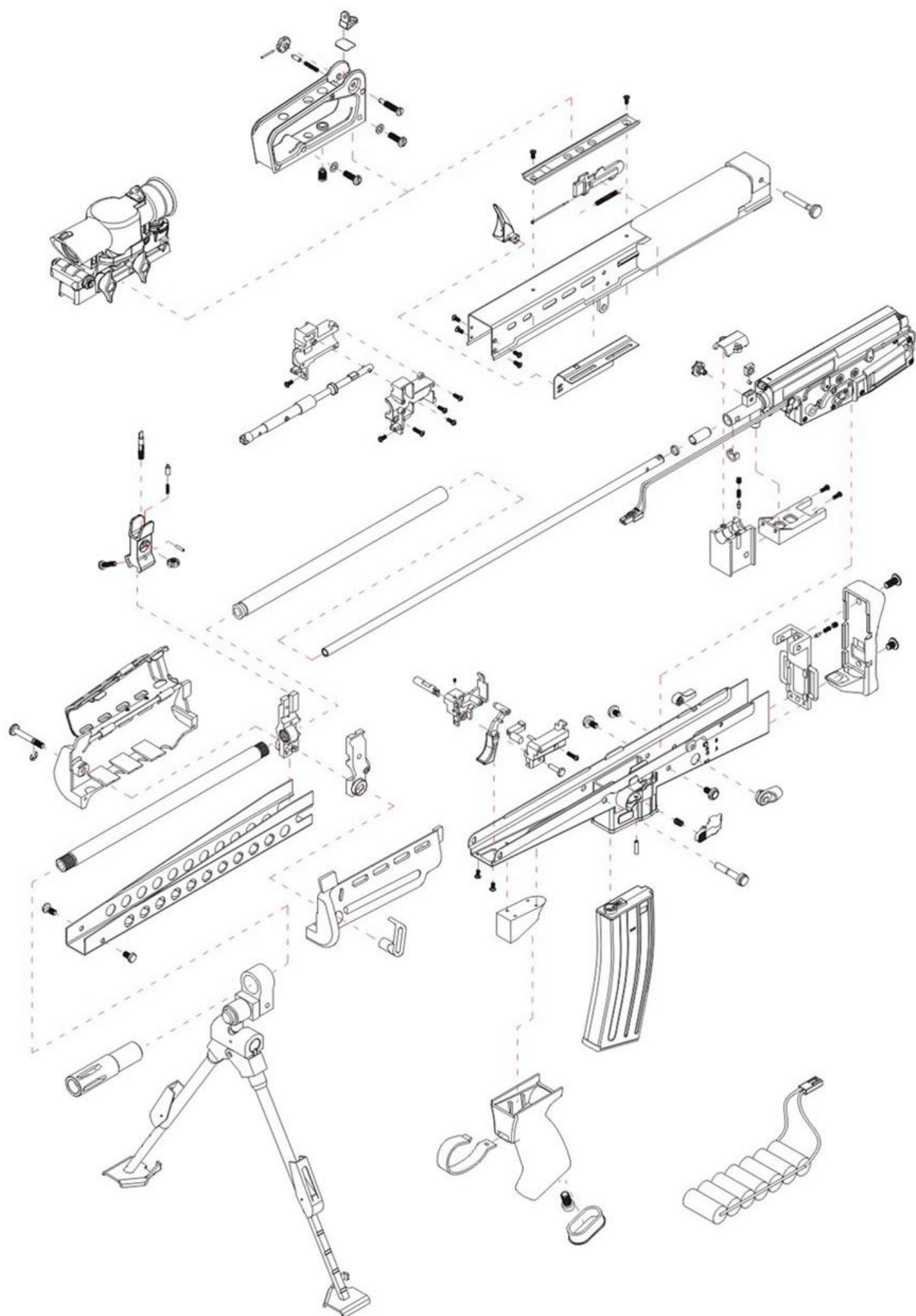


# L86 A2



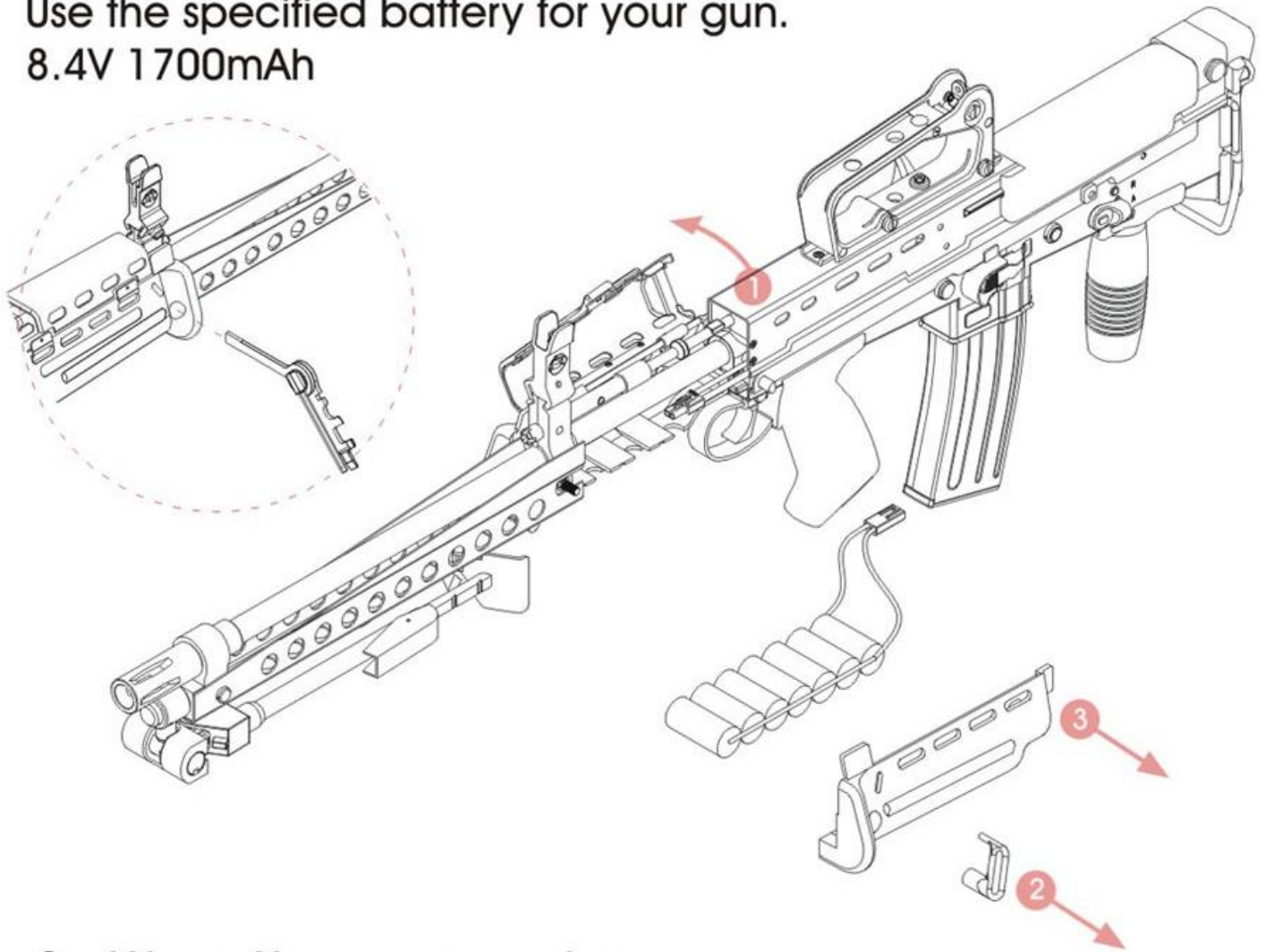
# STAR L86 A2 LSW



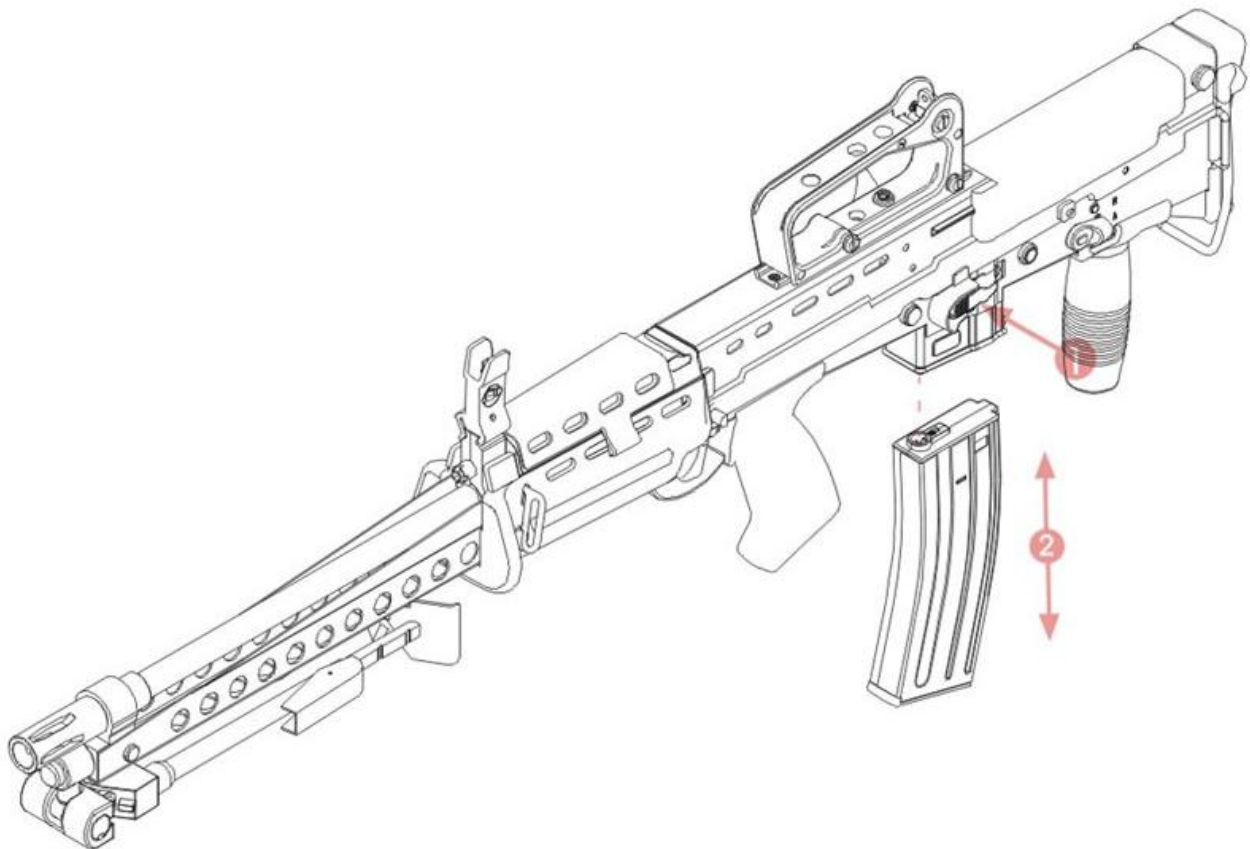
# Insert the battery

Use the specified battery for your gun.

8.4V 1700mAh



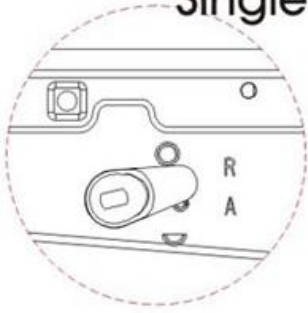
# Setting the magazine





# Firing mode

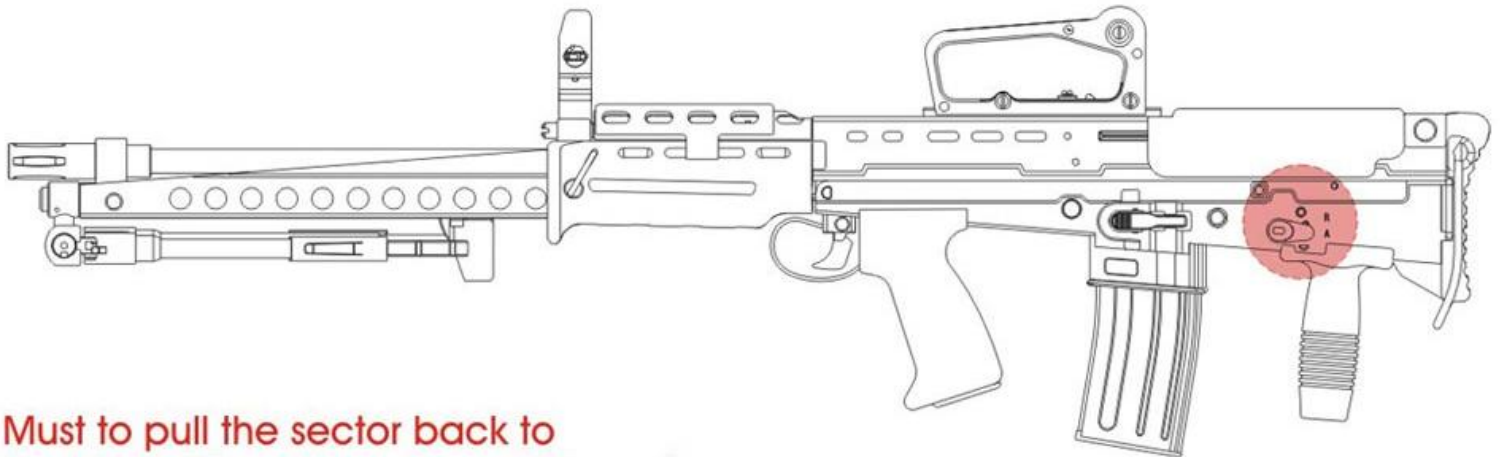
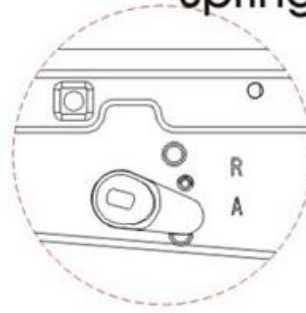
Single



Auto

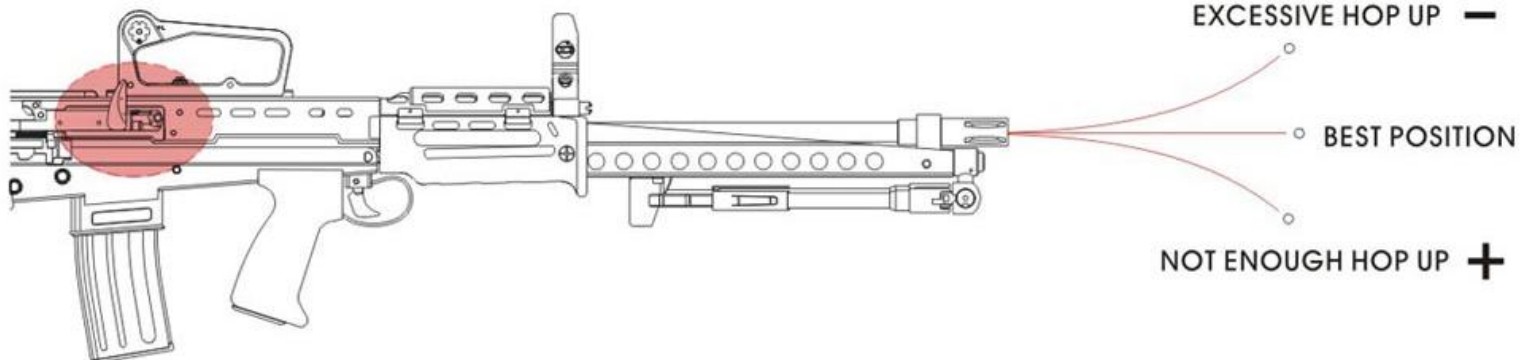
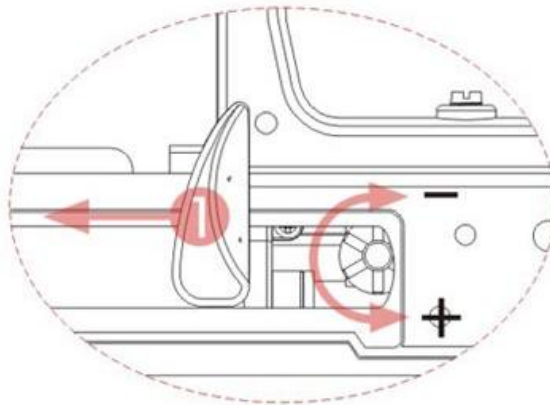


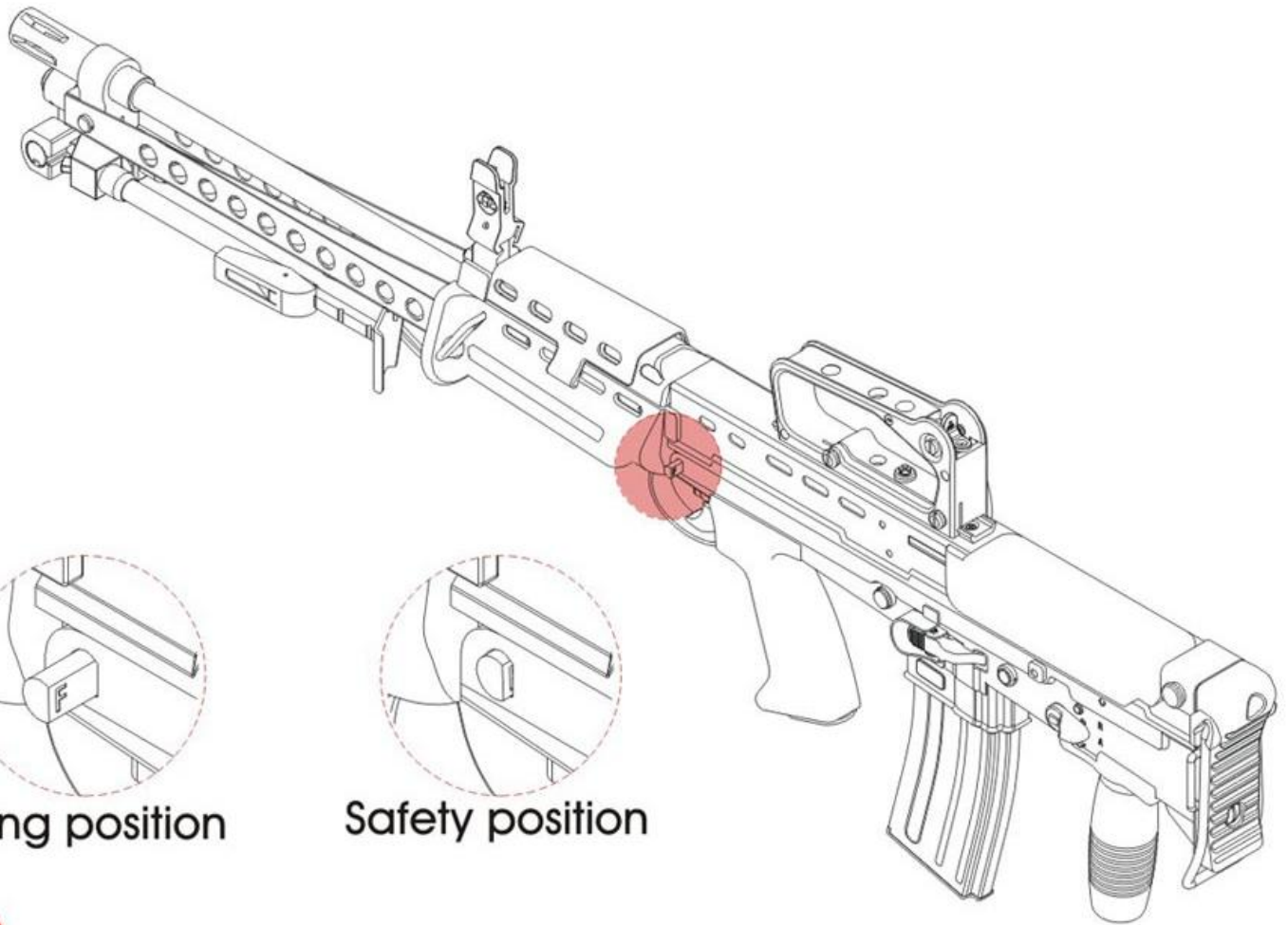
Spring release



\* Must to pull the sector back to R or A position after released the spring

# Hop-up adjustment



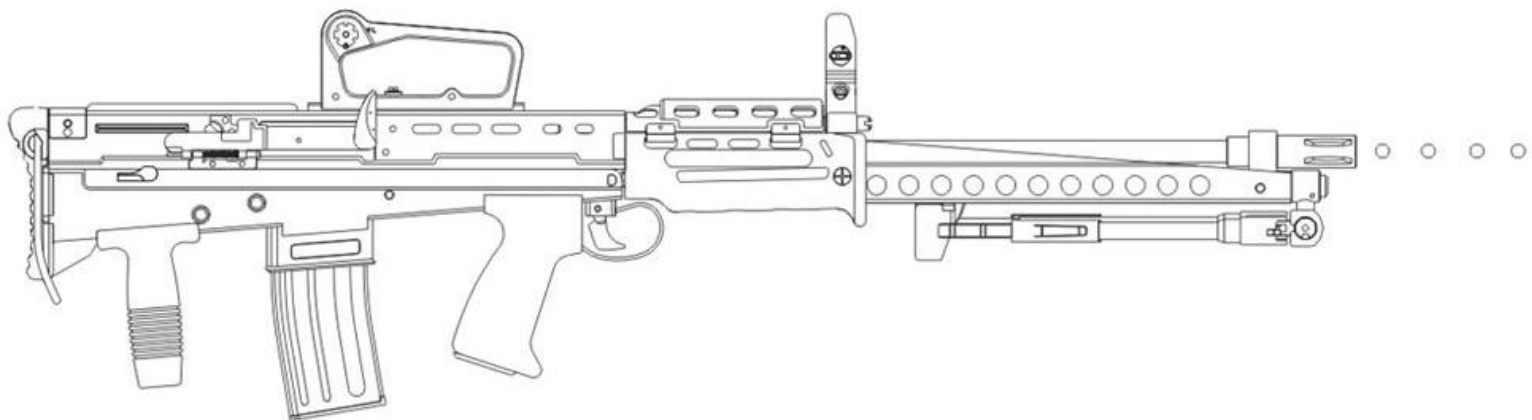


Firing position

Safety position



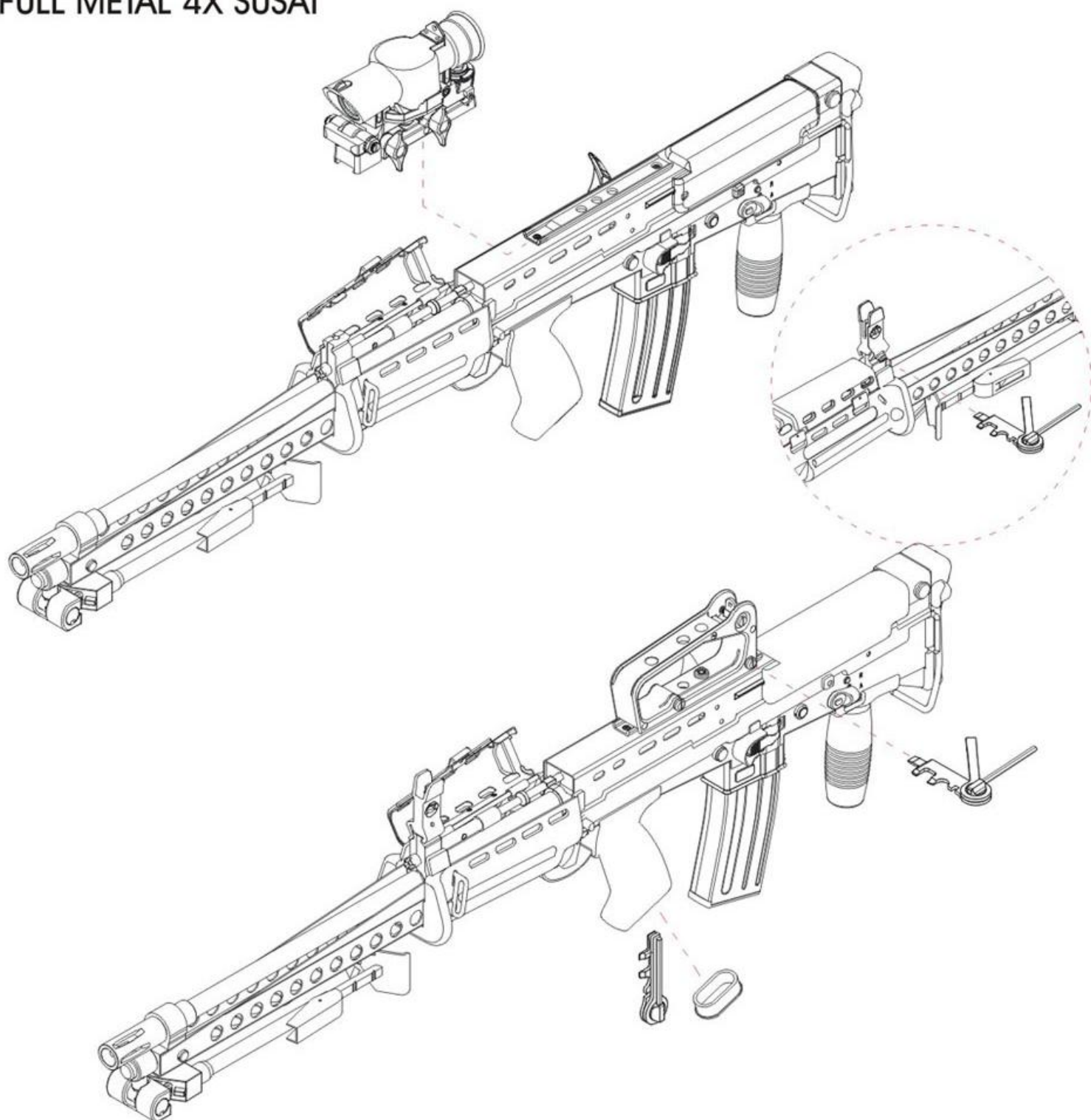
## WARNING



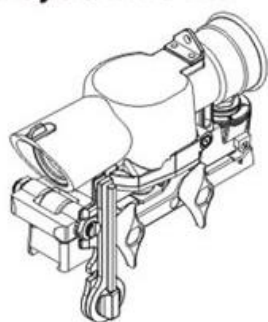
- .Do not aim or shoot a person or animal as the target.
- .Avoid pulling the trigger carelessly.
- .Always put the gun in a case or bag when you carrying it.
- .Always set the switch lever to the safety position.
- .Do not look into the gun muzzle.
- .Always wear eye protective gear.
- .Store the airsoft gun at the places out of reach by children.
- .Do not disassemble or modify the airsoft gun.

# Optional accessories

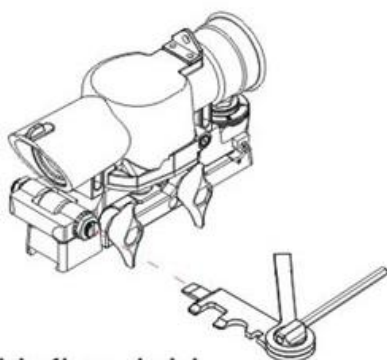
## FULL METAL 4X SUSAT



Susat adjustment:



Loose the nut



Adjust left or right



Adjust up or down



# **DATA OF L86 A2 LSW ELECTRIC GUN**

**MATERIAL: NYLON FIBER & STEEL**

**HOPUP SYSTEM: ADJUSTABLE**

**LENGTH: 920MM**

**WEIGHT: 5400G (WITH SUSAT)**

**4965G (WITH IRON SIGHT)**

**MAGAZINE CAPACITY: 130 ROUNDS**

**BULLET: 6MM BB BULLETS**

**BATTERY: 8.4V 1700MAH**

**MOTOR: HIGH TORQUE FLAT MOTOR**

