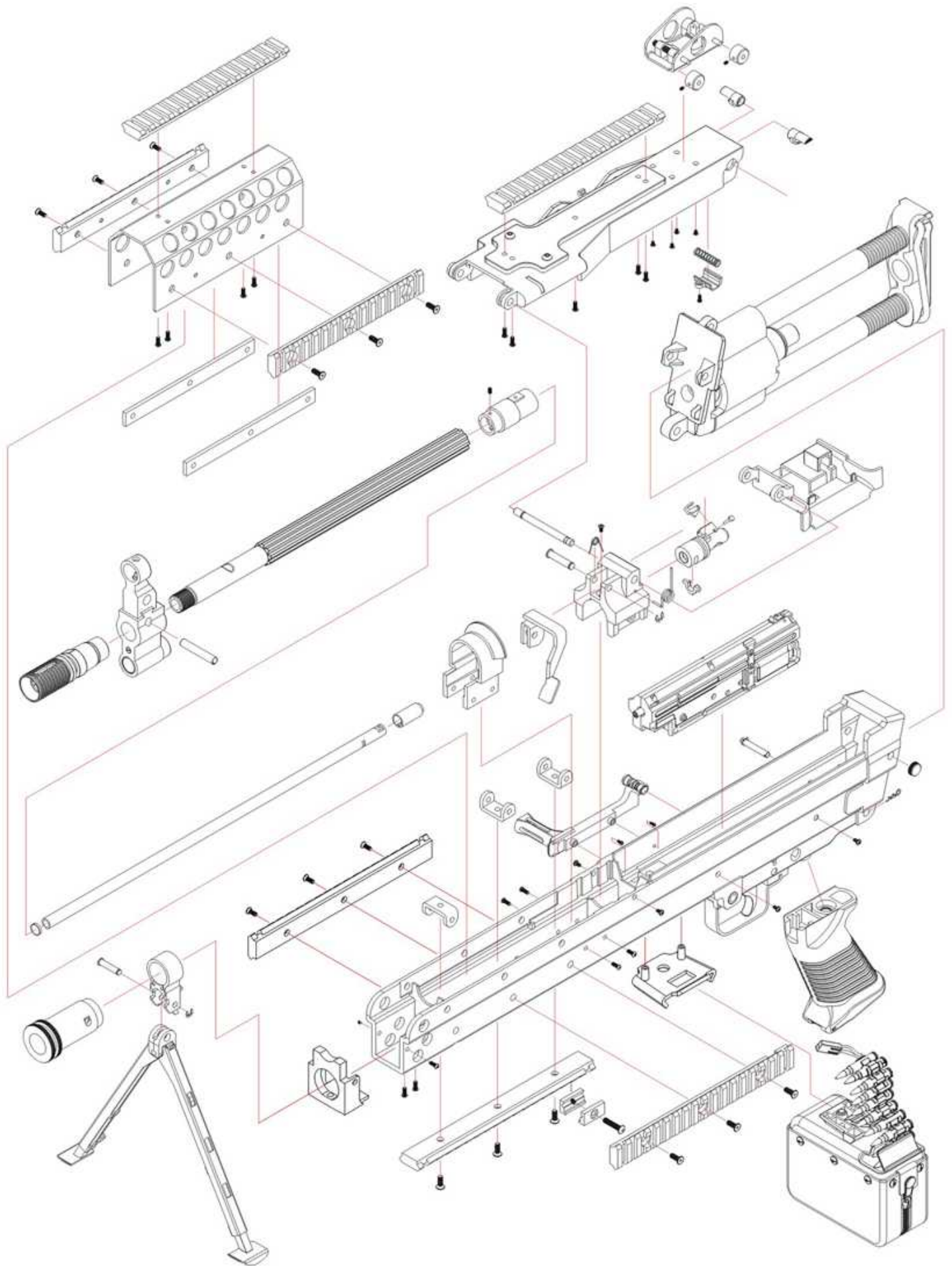
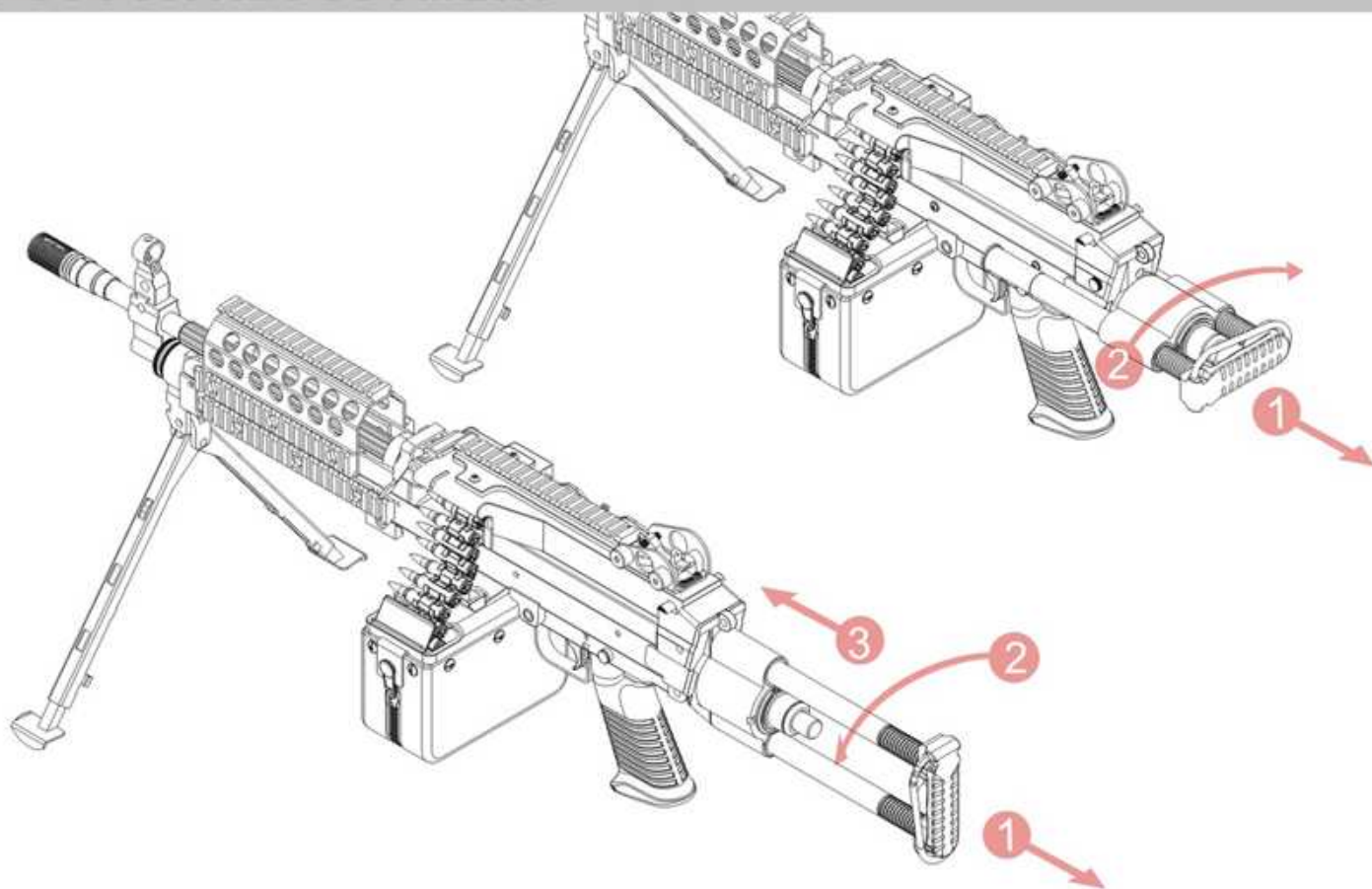


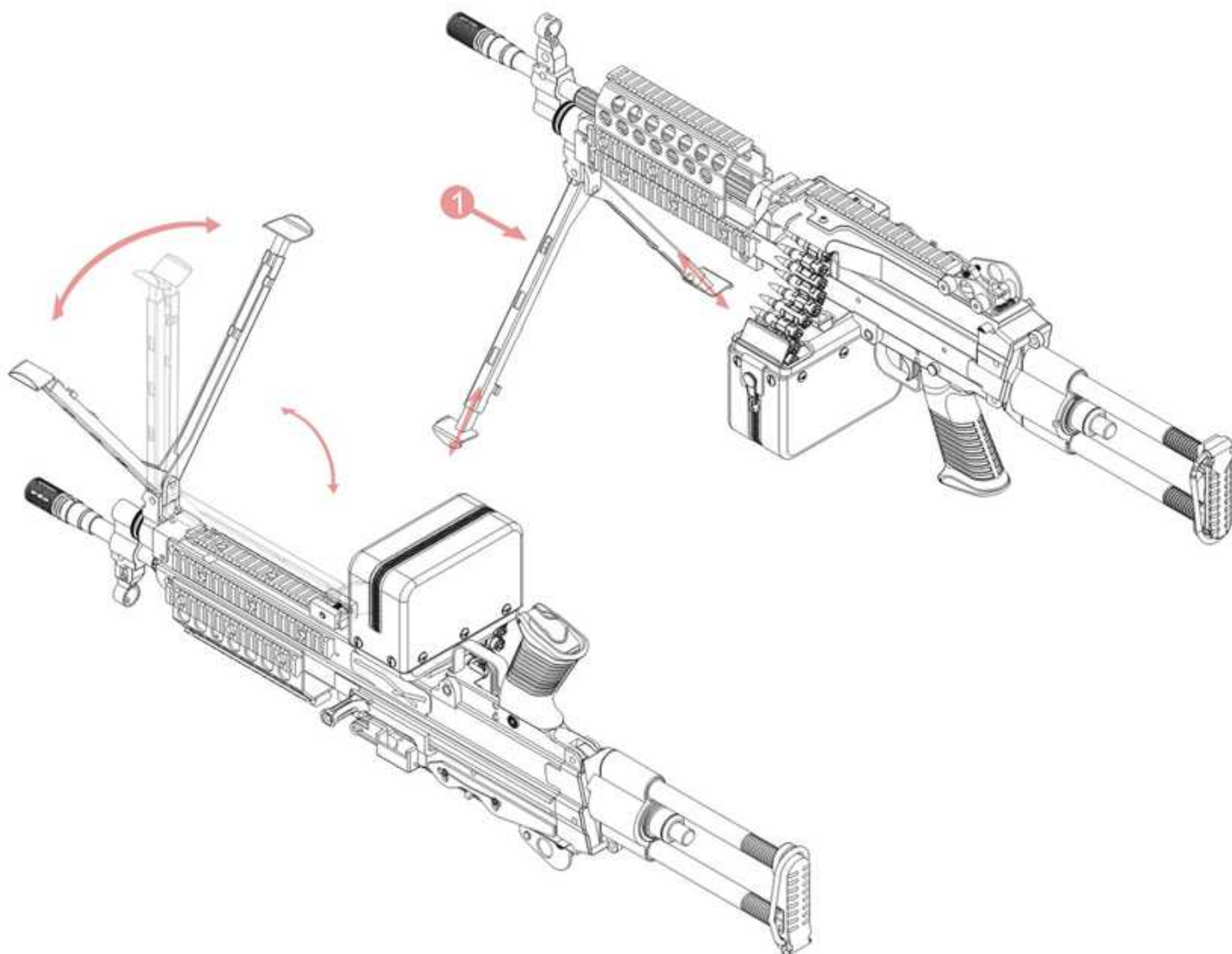
MK 46 EXPOSE PLAN



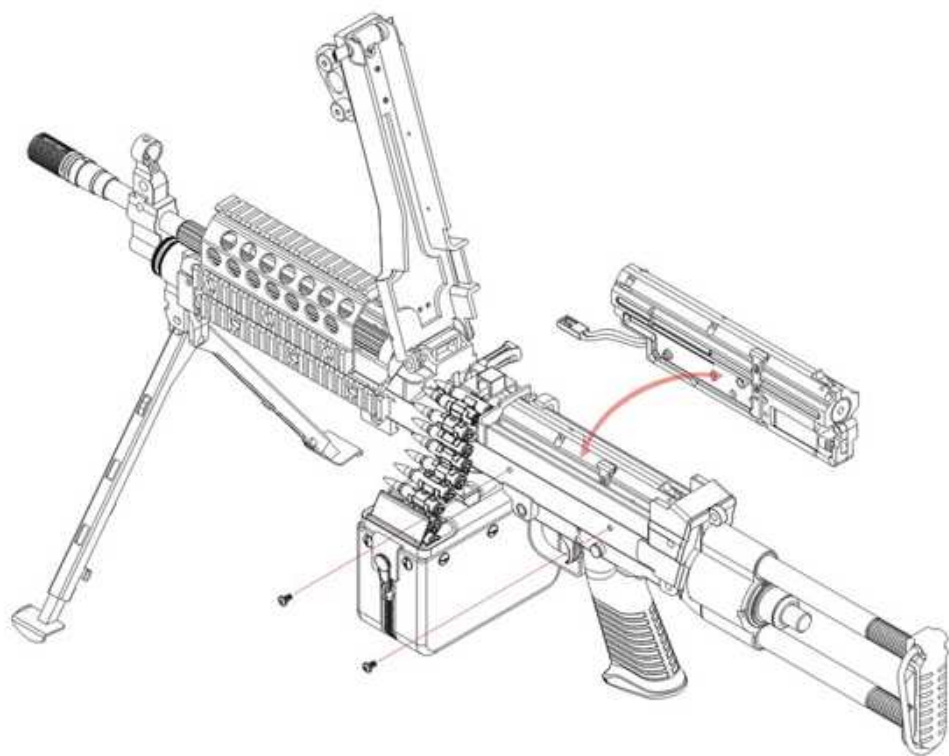
BUD STOCK ADJUSTMENT



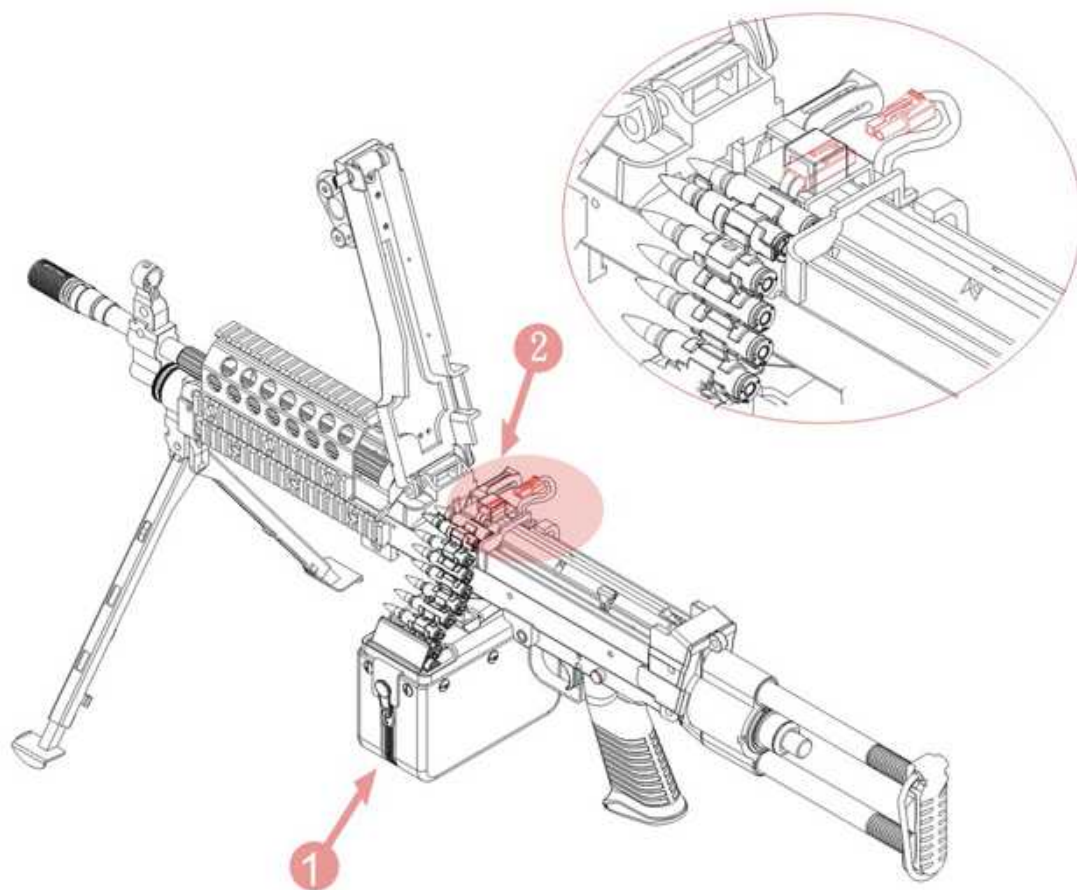
UNDERPROP ADJUSTMENT



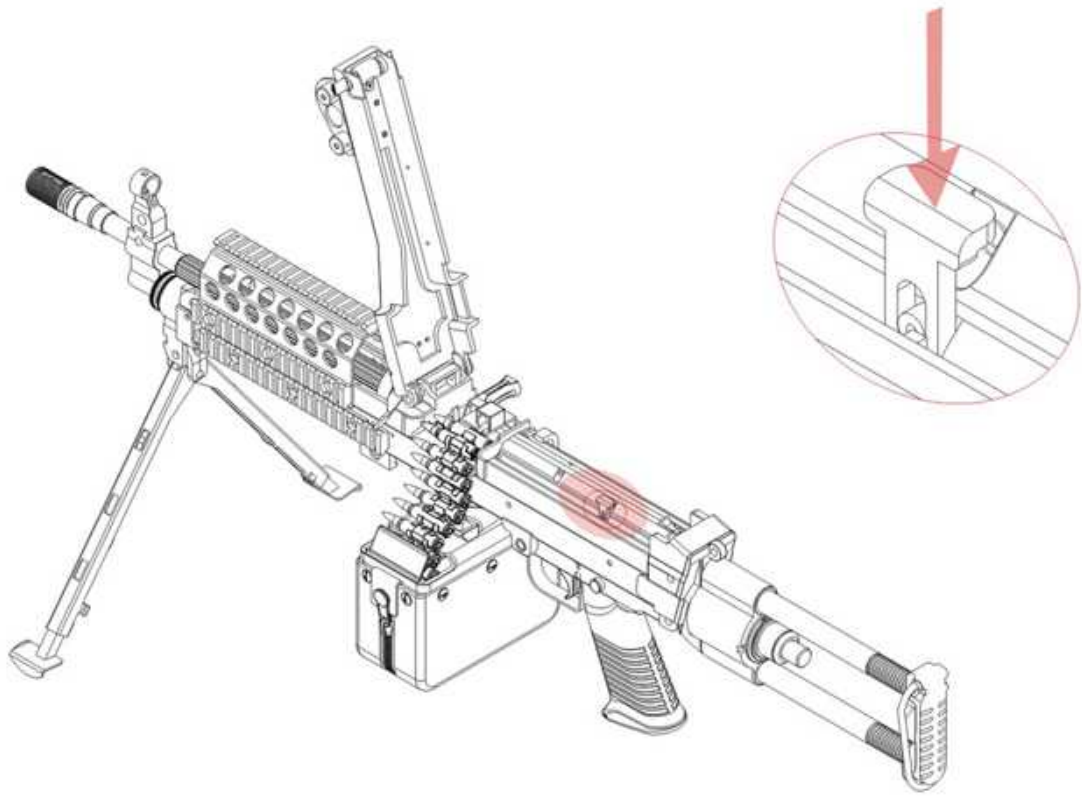
GEAR BOX INSTALLATION



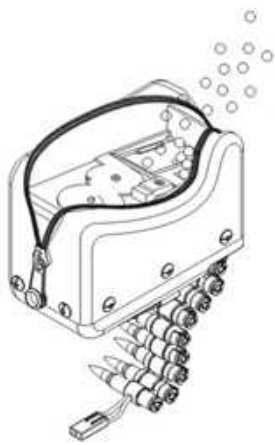
MAIN POWER CONNECTION



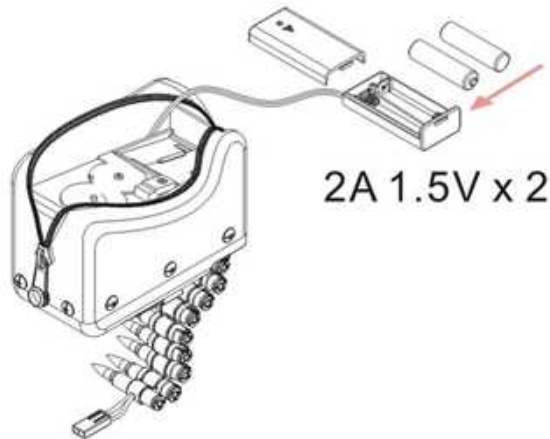
SPRING RELEASE



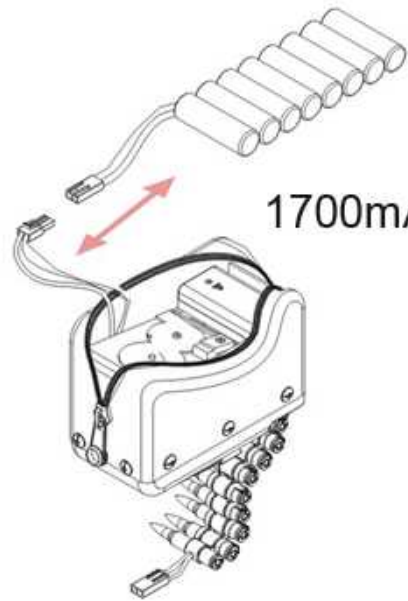
BATTERY AND BB INSTALLATION



1550 rounds bb

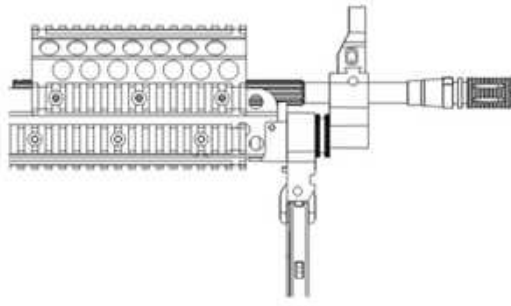




2A 1.5V x 2

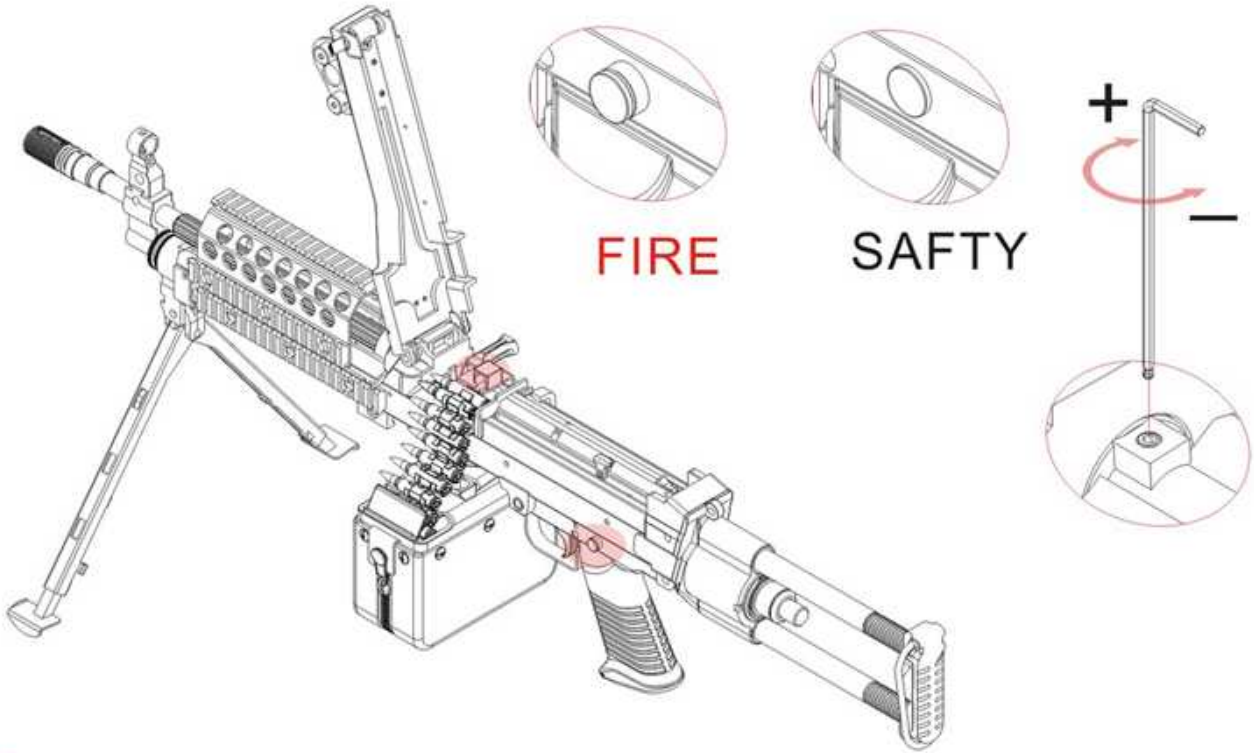


1700mAh 9.6v

HOP-UP ADJUSTMENT



- EXCESSIVE HOP UP 
- BEST POSITION
- NOT ENOUGH HOP UP 



WARNING



- . Do not aim or shoot a person or animal as the target.
- . Avoid pulling the trigger carelessly.
- . Always put the gun in a case or bag when you carrying it.
- . Always set the switch lever to the safety position.
- . Do not look into the gun muzzle.
- . Always wear eye protective gear.
- . Store the airsoft gun at the places out of reach by children.
- . Do not disassemble or modify the airsoft gun.

Data of MK 46 Airsoft Electric Gun

Material: Nylon Fiber and Aluminum Alloy

HOP System: Adjustable

Length: 790 / 920mm (stock extended)

Weight: 3750g (net weight)

Barrel Length: 345mm

Magazine Capacity: 1550 rounds

Bullet: 6mm BB bullets

Battery: 9.6v battery 1700mAh

Motor: High Torque Flat Motor

