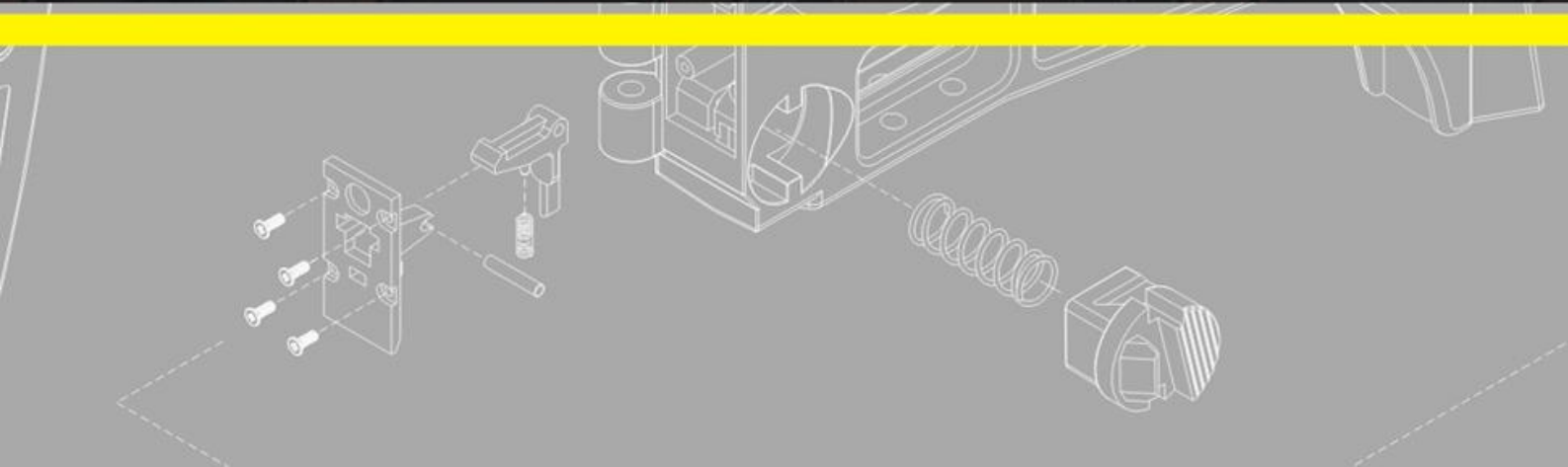
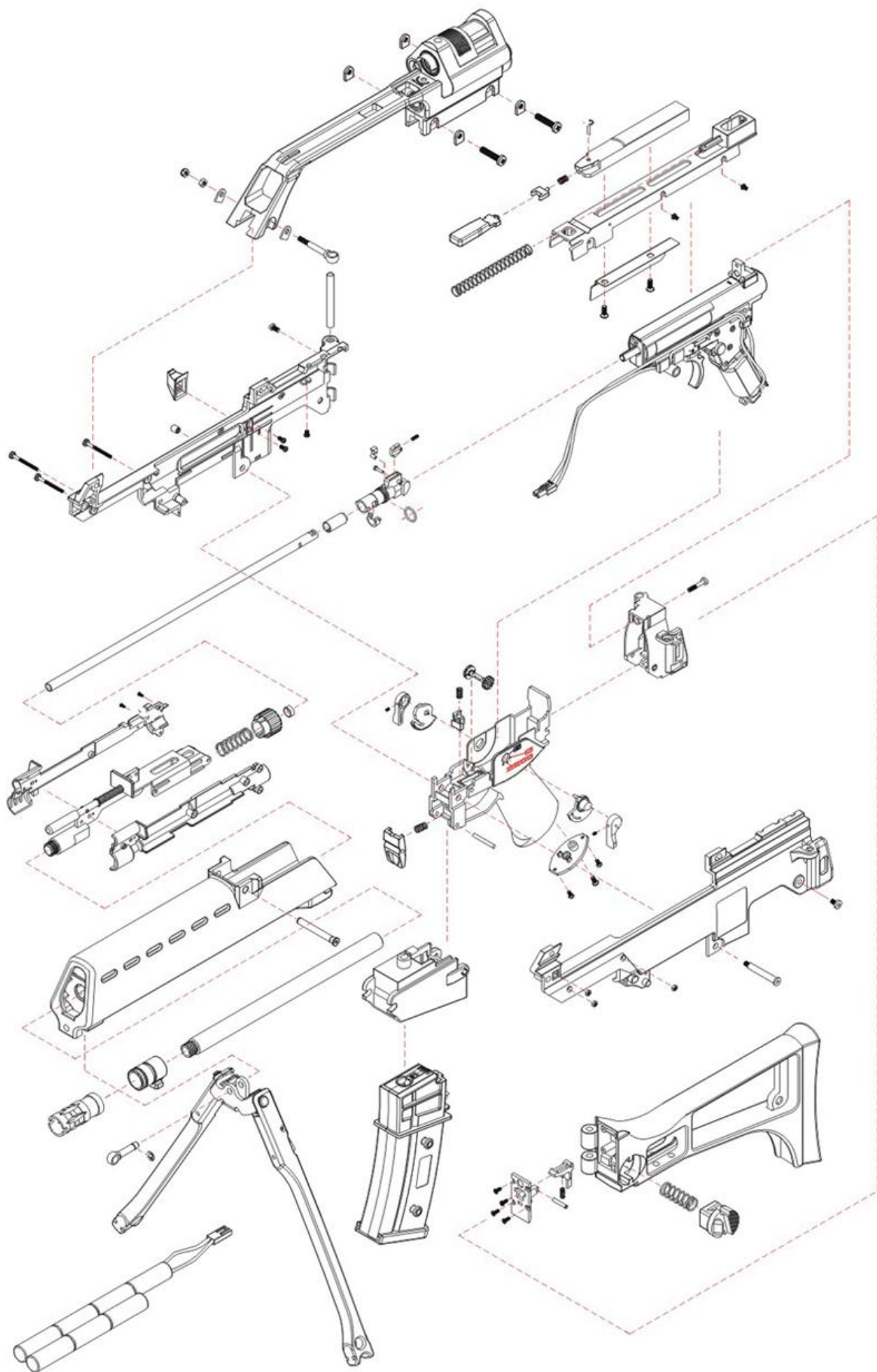


HK G36



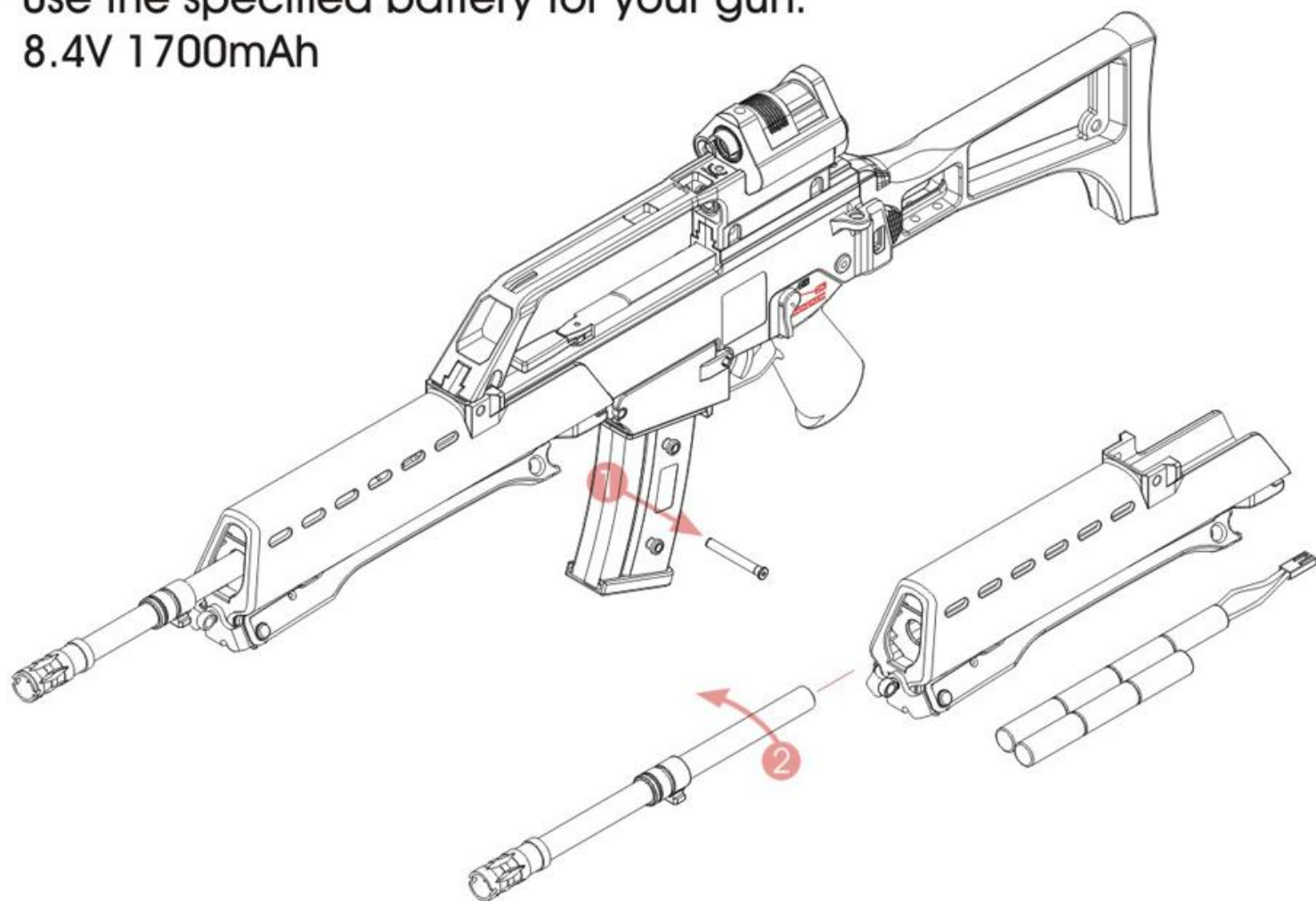
STAR HK G36



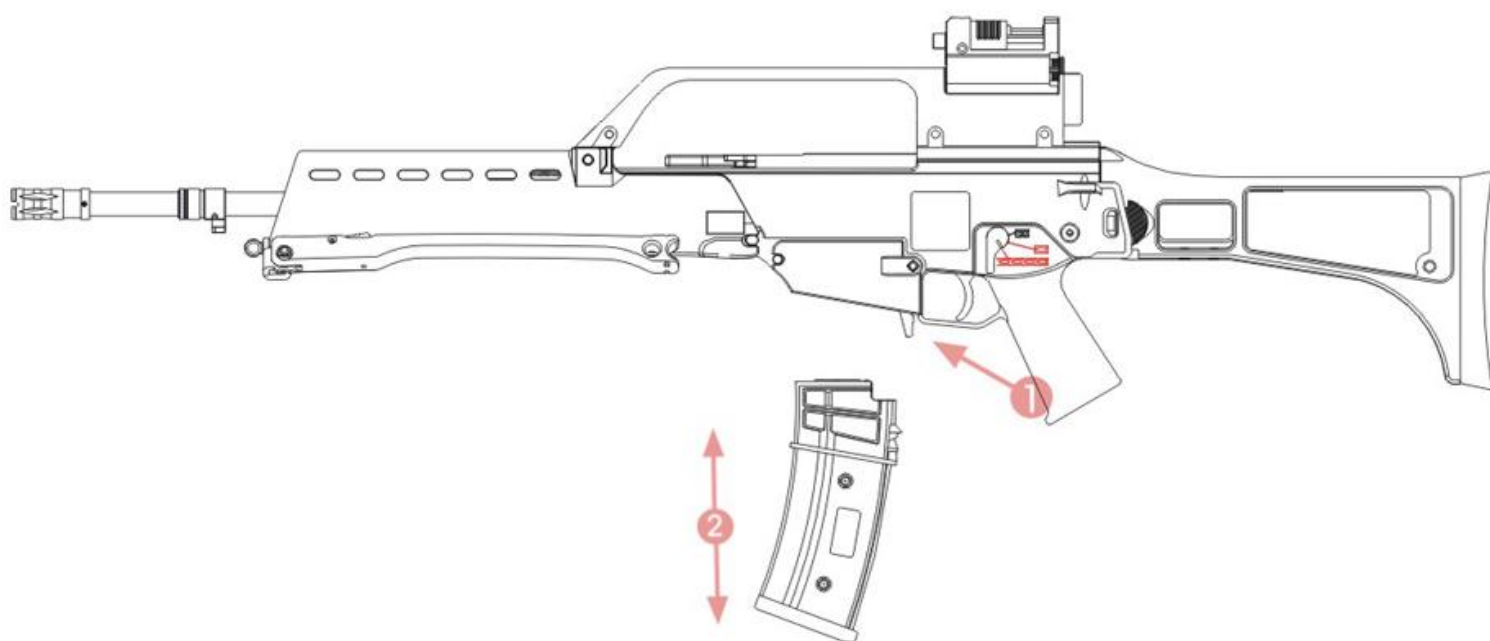
Insert the battery

Use the specified battery for your gun.

8.4V 1700mAh



Setting the magazine

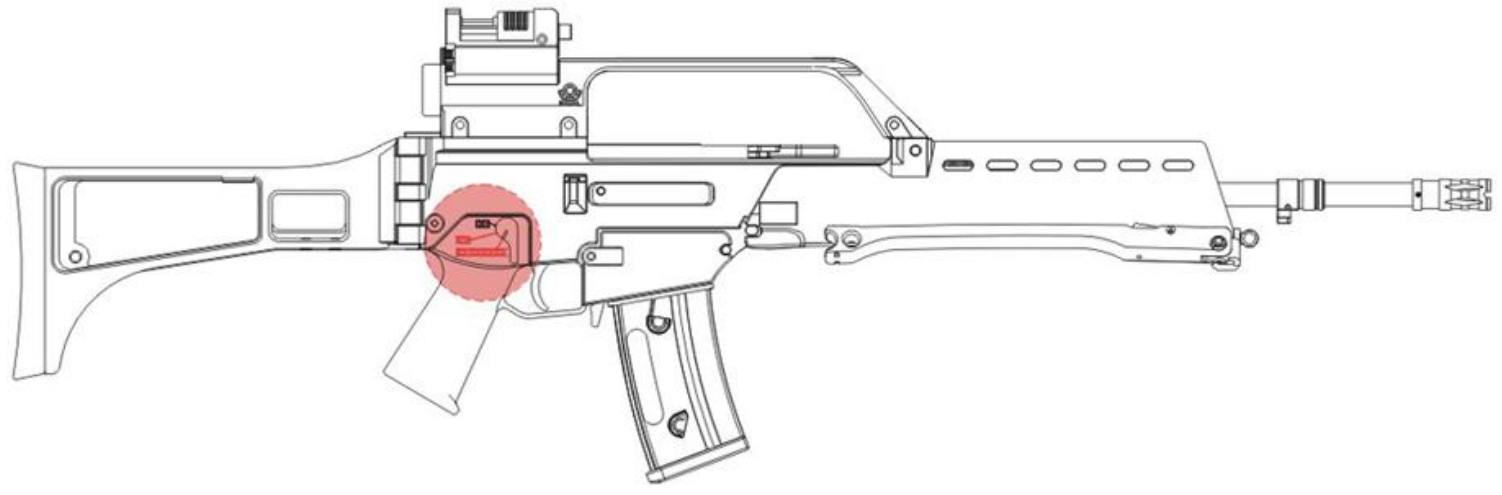
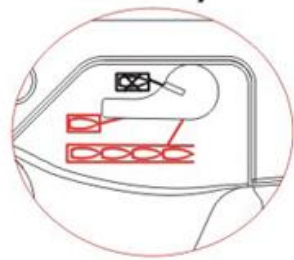
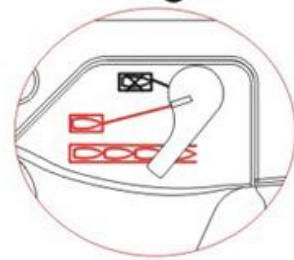
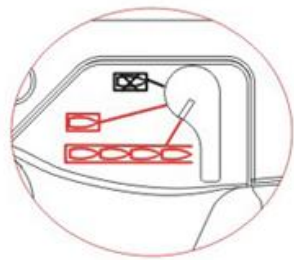


Firing mode

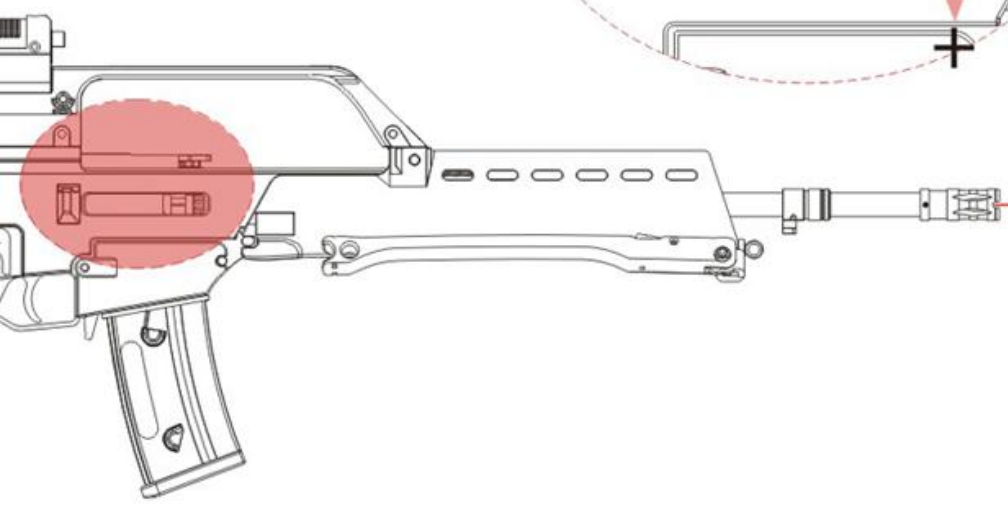
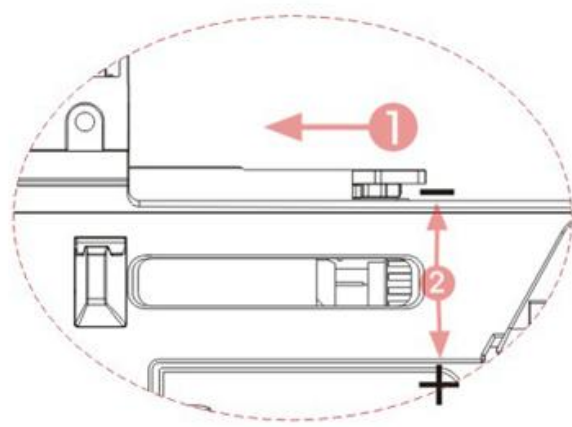
Auto

Single

Safety



Hop-up adjustment

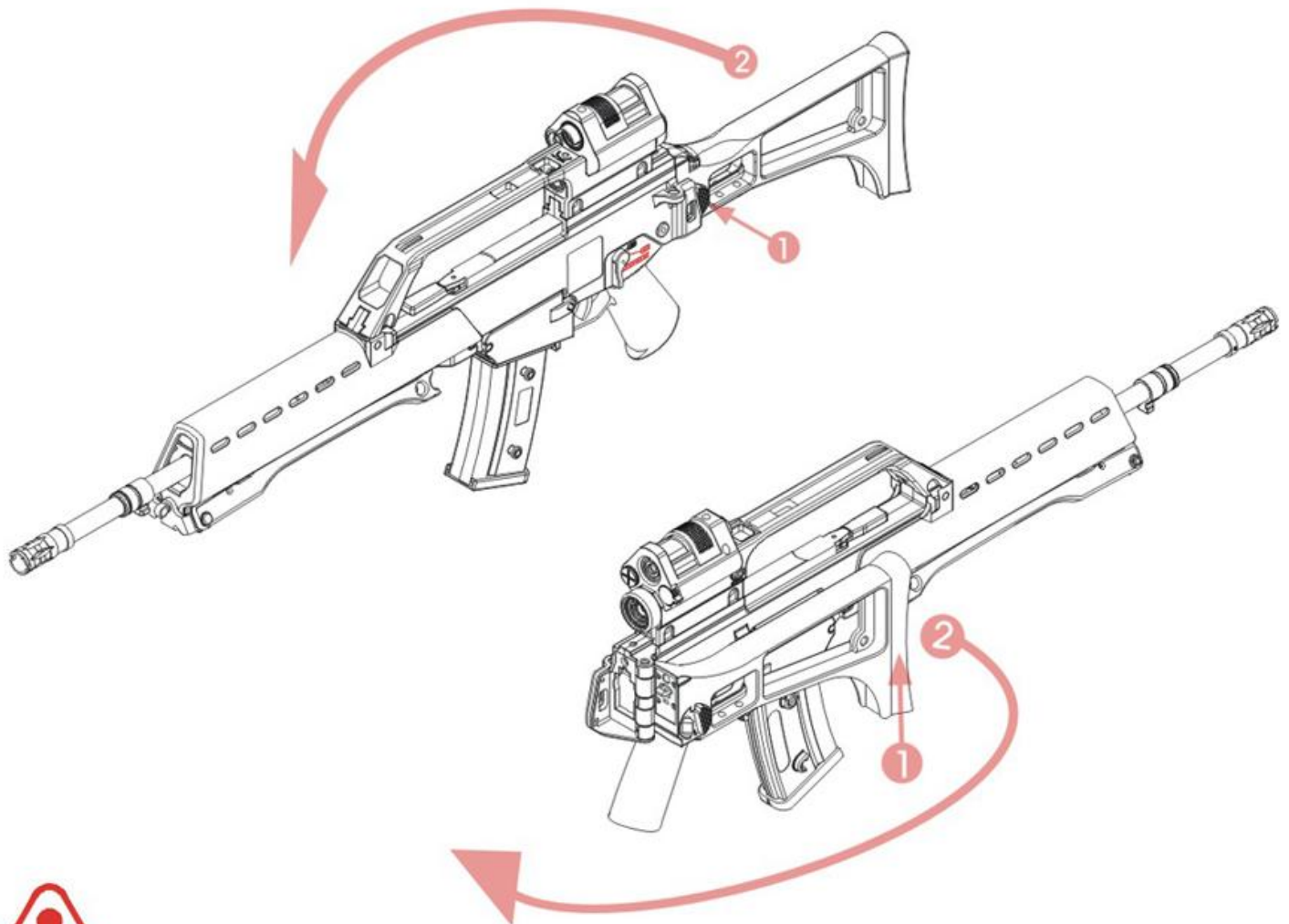


EXCESSIVE HOP UP —

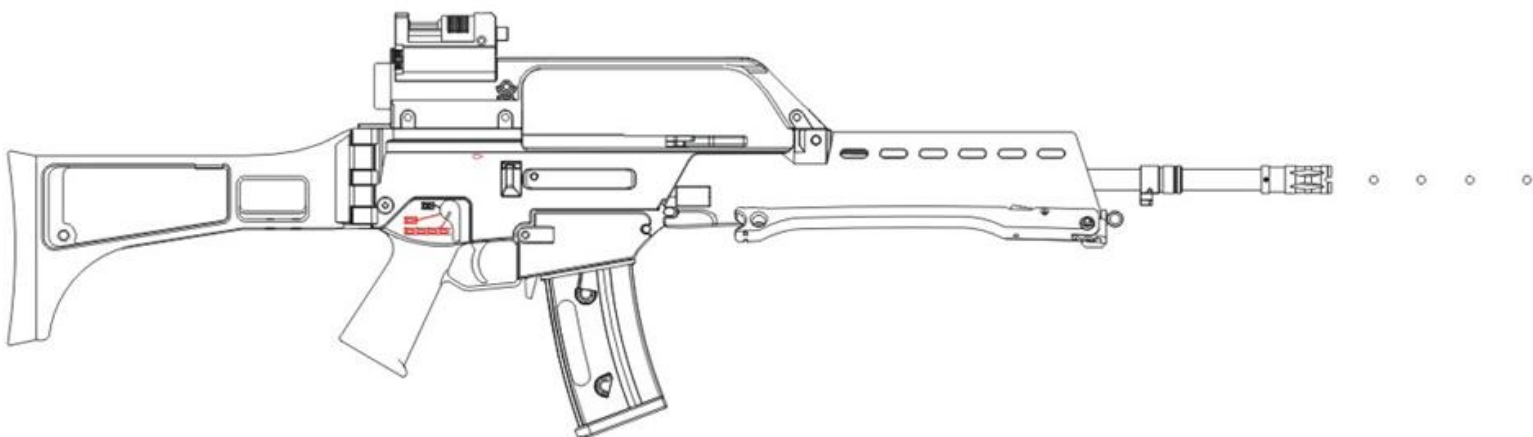
BEST POSITION ○

NOT ENOUGH HOP UP +

Folding Stock



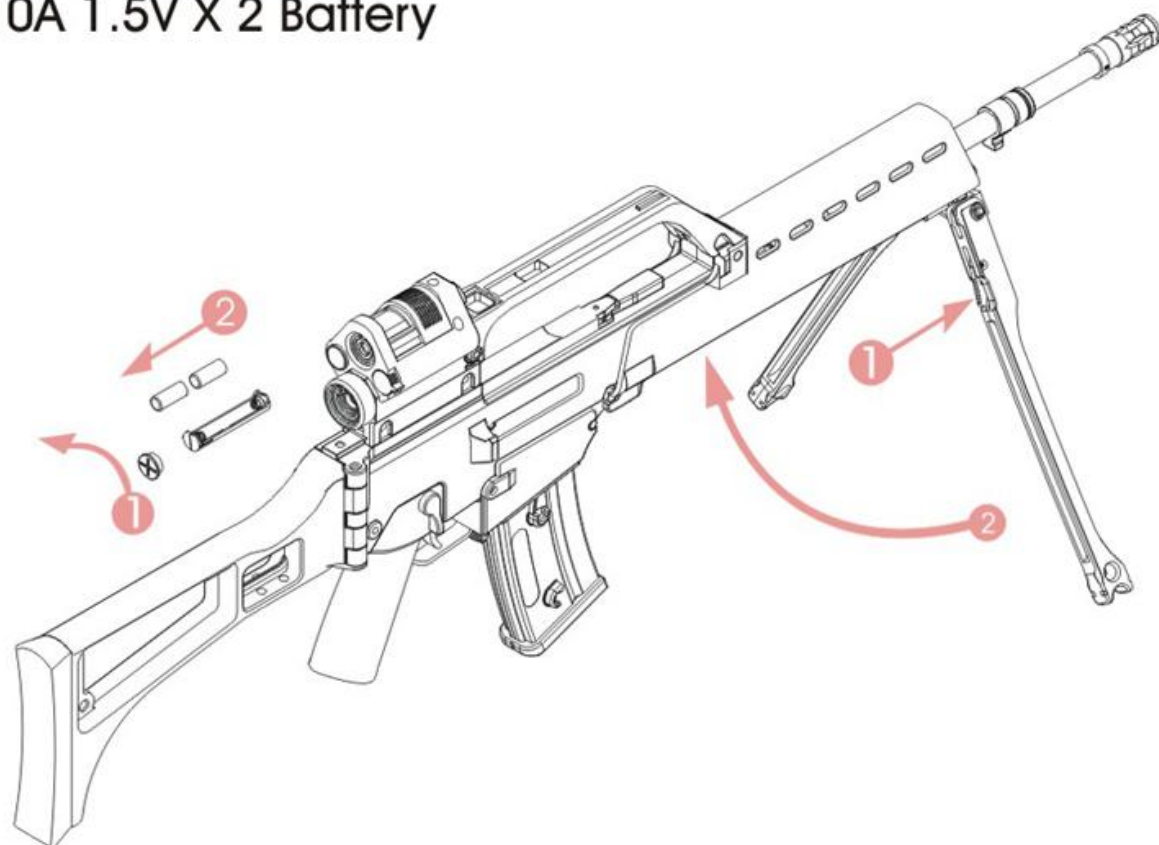
WARNING



- .Do not aim or shoot a person or animal as the target.
- .Avoid pulling the trigger carelessly.
- .Always put the gun in a case or bag when you carrying it.
- .Always set the switch lever to the safety position.
- .Do not look into the gun muzzle.
- .Always wear eye protective gear.
- .Store the airsoft gun at the places out of reach by children
- .Do not disassemble or modify the airsoft gun.

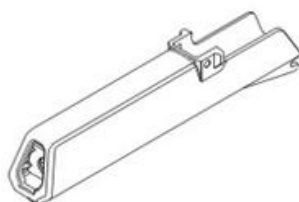
Bipod setting & Reddot sight battery install

Use 910A 1.5V X 2 Battery



Optional accessories

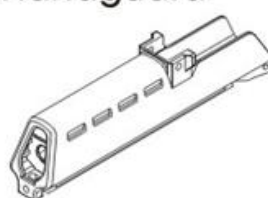
SI-8 Handguard



G36KE over size Handguard



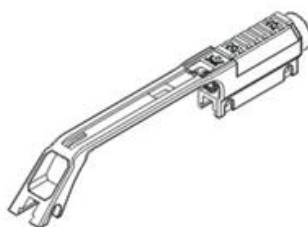
G36KE real size Handguard



Ag36 Grenade Launcher



G36KE Carry Handle



G36 Rail Mount Base



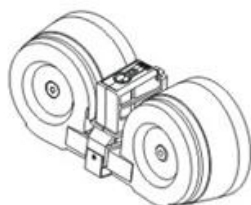
SI-8 Long Sight Rail



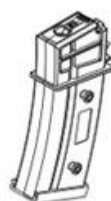
Sound Suppressor



2000 Rds C-Mag



470 Rds Mag



20 Rds Mag



DATA OF STAR HK G36 ELECTRIC GUN

MATERIAL: NYLON FIBER & ZINC ALLOY

HOPUP SYSTEM: ADJUSTABLE

LENGTH: 765MM / 1000MM (STOCK EXTENDED)

WEIGHT: 3450G

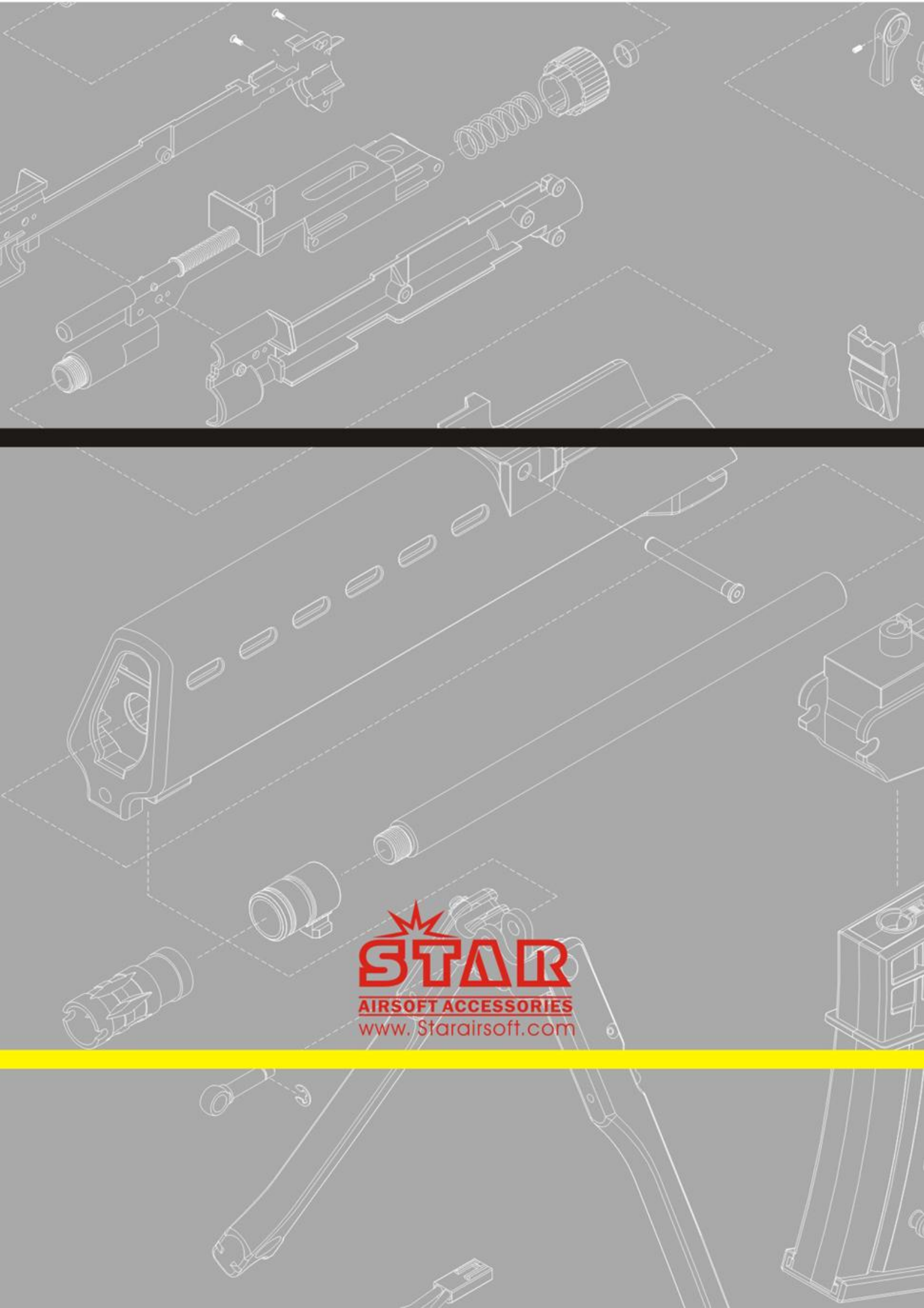
MAGAZINE CAPACITY: 140 ROUNDS

BULLET: 6MM BB BULLETS

BATTERY: 8.4V 1700MAH

MOTOR: HIGH TORQUE FLAT MOTOR





STAR
AIRSOFT ACCESSORIES
www.Starairsoft.com