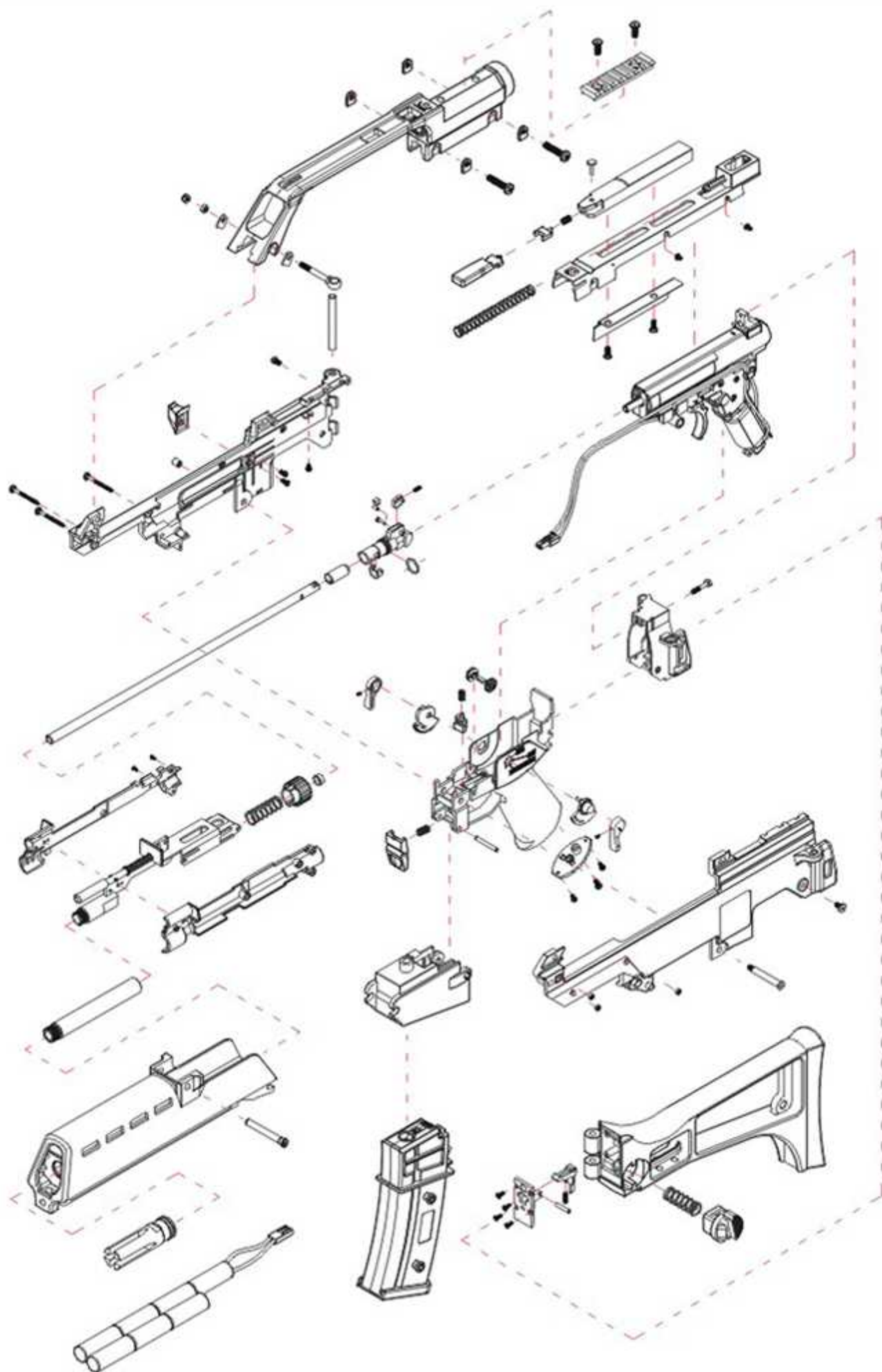
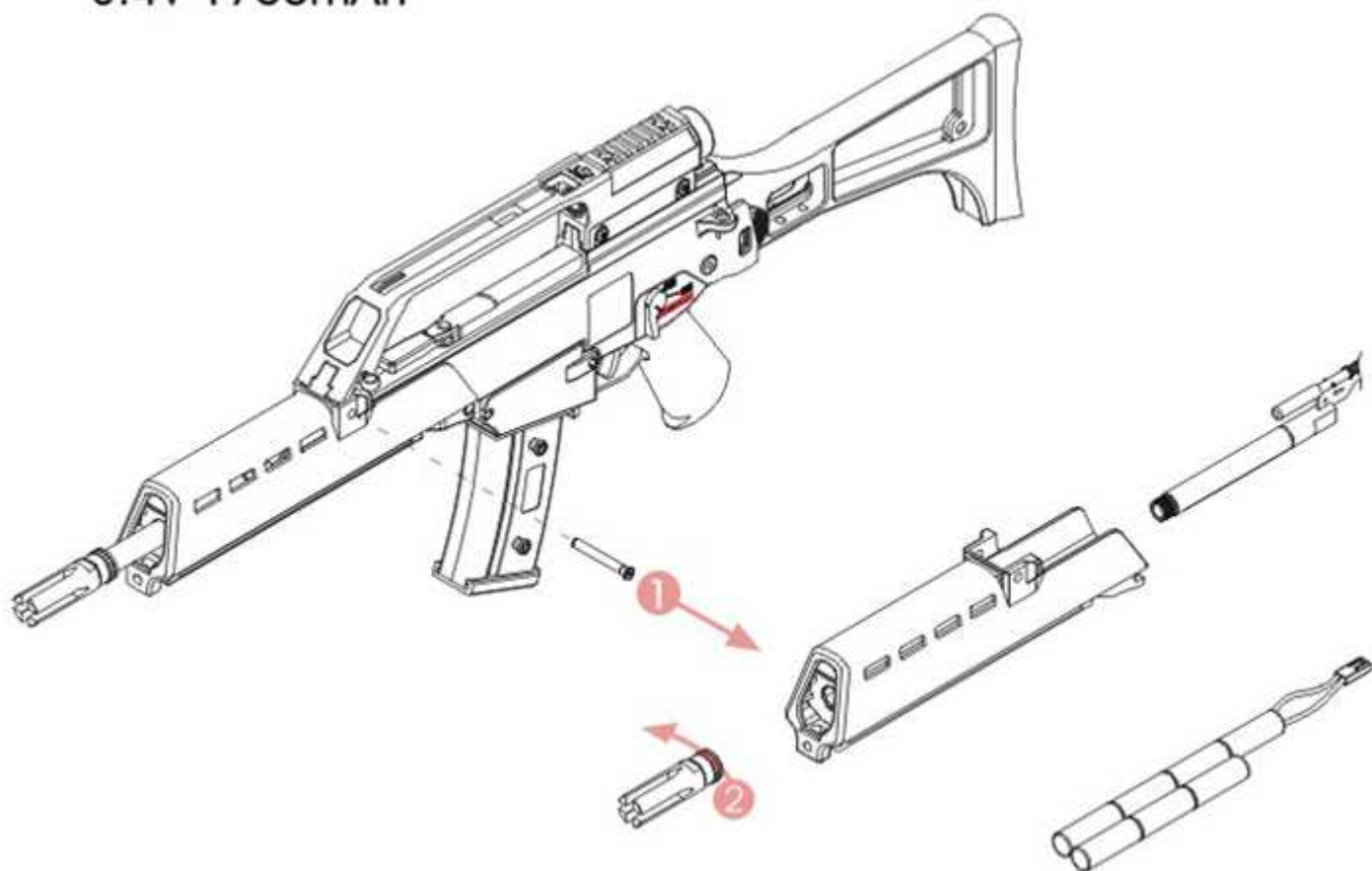


STAR HK G36K

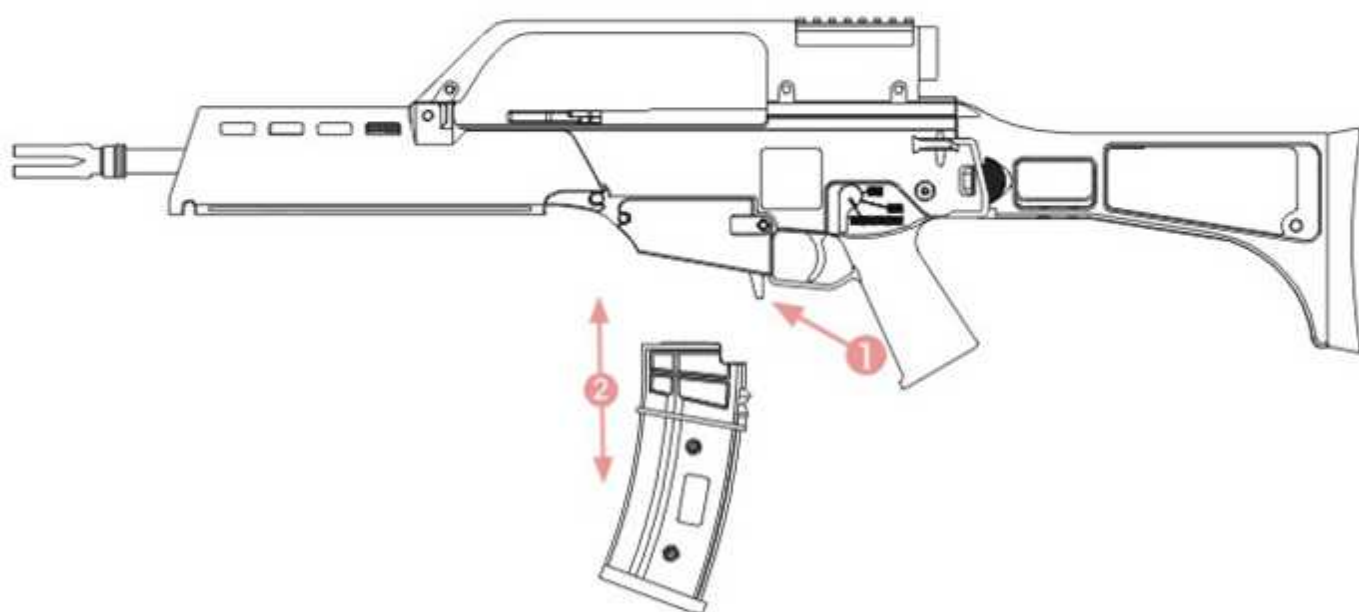


Insert the battery

Use the specified battery for your gun.
8.4V 1700mAh

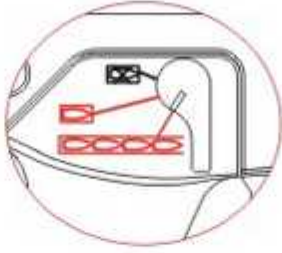


Setting the magazine

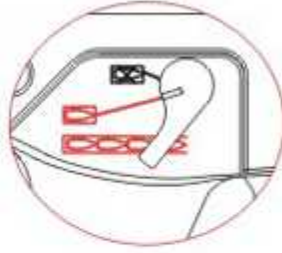


Firing mode

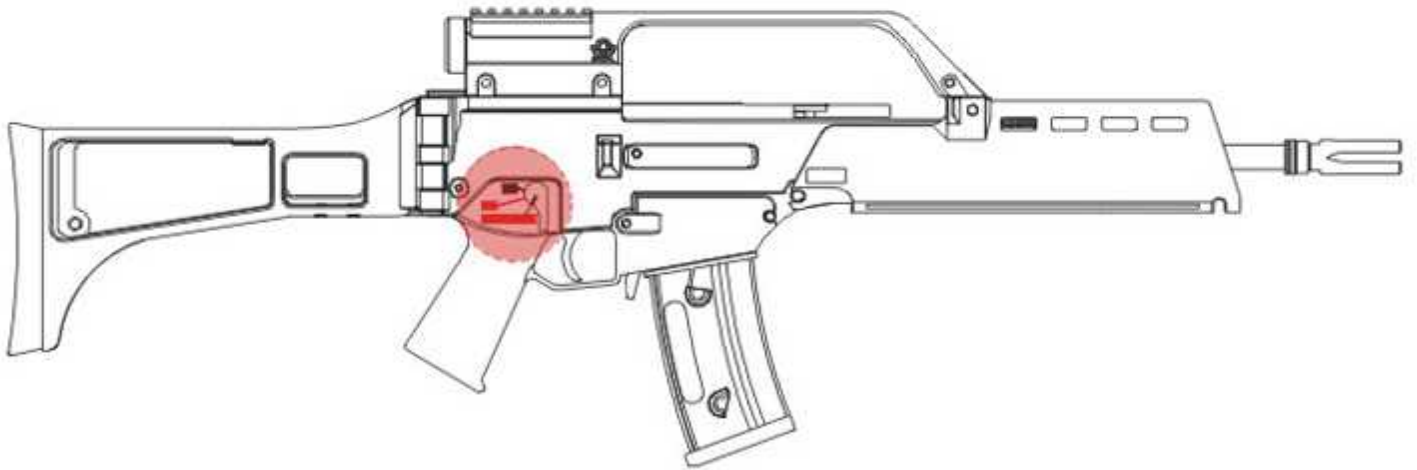
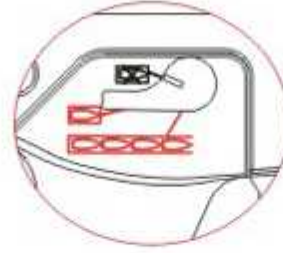
Auto



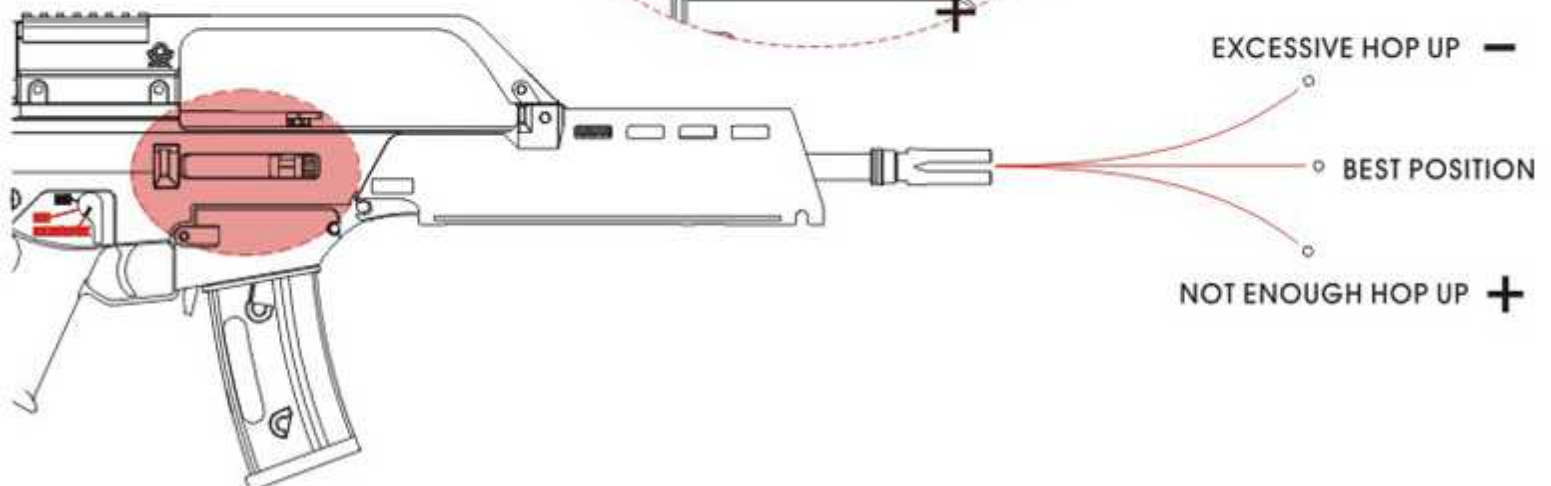
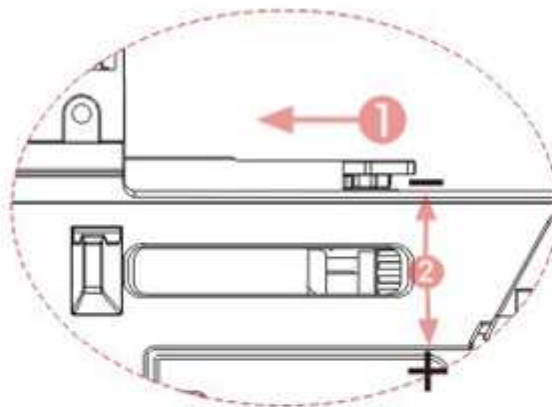
Single



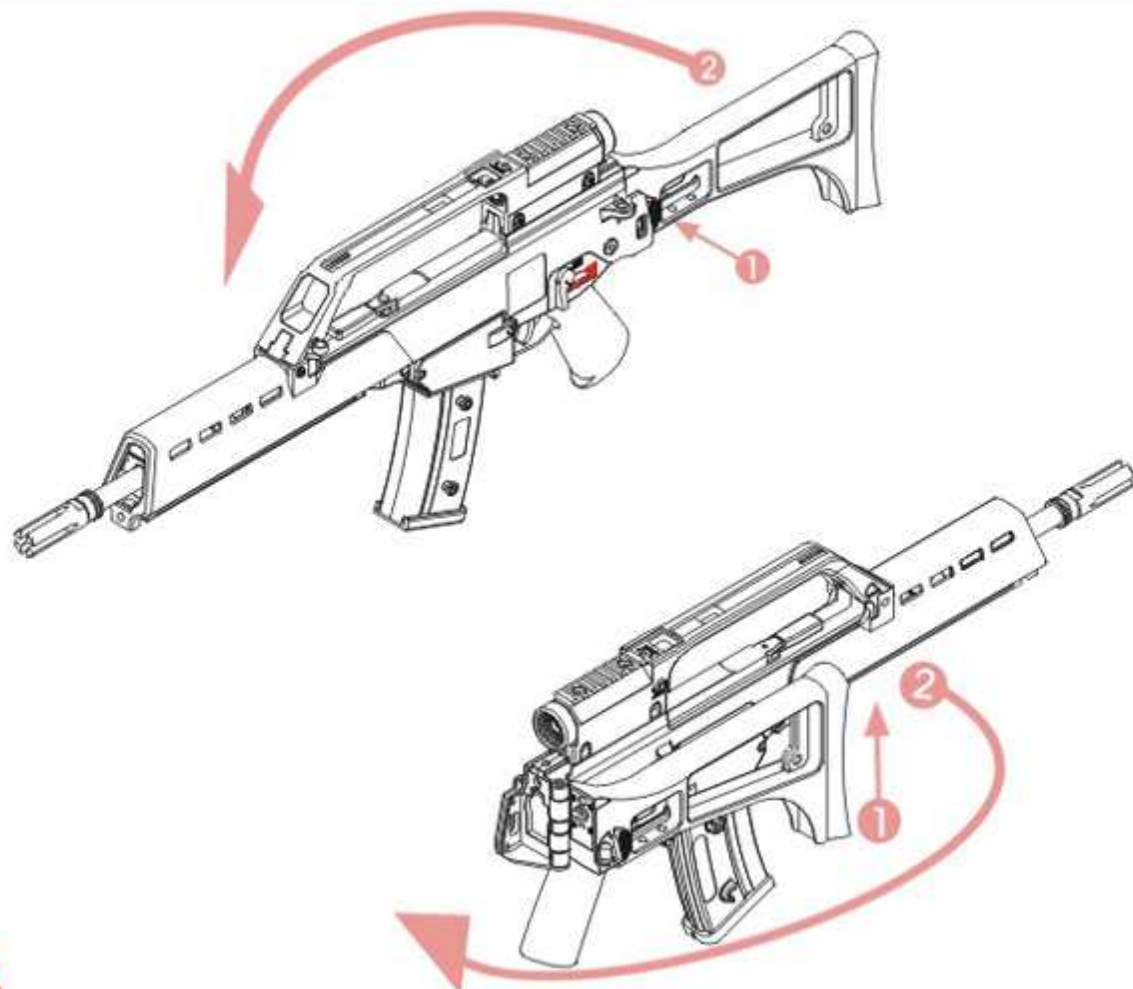
Safety



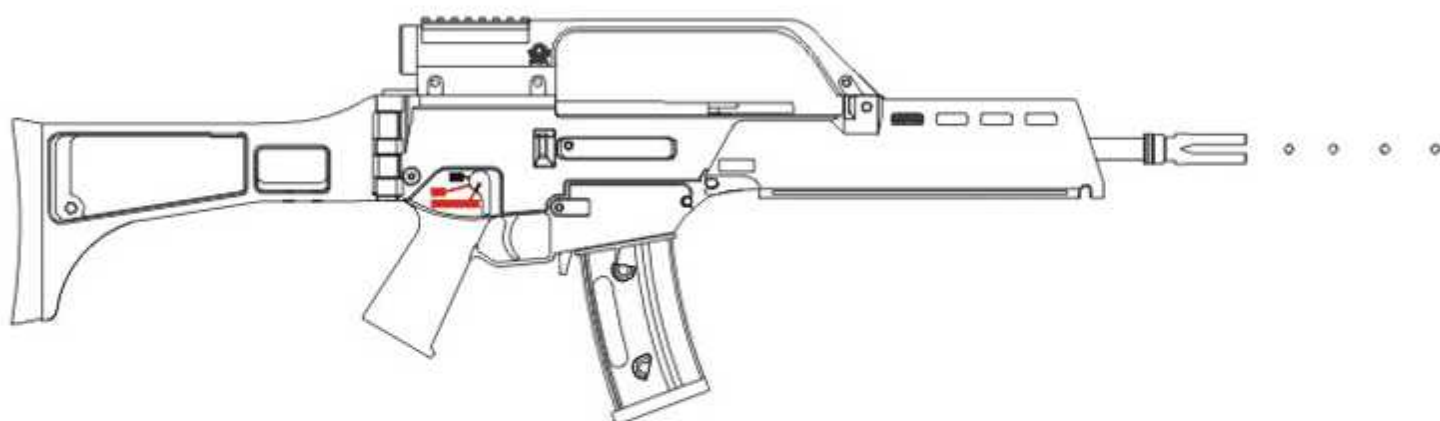
Hop-up adjustment



Folding Stock



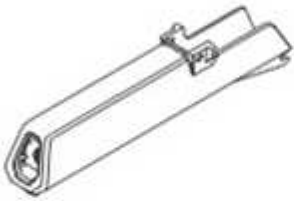
WARNING



- . Do not aim or shoot a person or animal as the target.
- . Avoid pulling the trigger carelessly.
- . Always put the gun in a case or bag when you carrying it.
- . Always set the switch lever to the safety position.
- . Do not look into the gun muzzle.
- . Always wear eye protective gear.
- . Store the airsoft gun at the places out of reach by children.
- . Do not disassemble or modify the airsoft gun.

Optional accessories

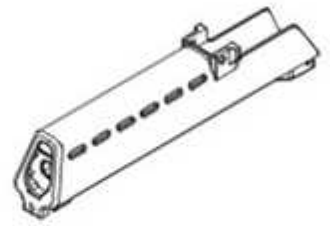
SI-8 Handguard



G36KE over size Handguard



G36 real size Handguard



G36 Dual Sighting Handle



G36 Rail Mount Base



SI-8 Long Sight Rail



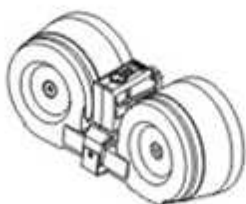
Ag36 Grenade Launcher



Sound Suppressor



2000 Rds C-Mag



470 Rds Mag



20 Rds Mag



DATA OF STAR HK G36K ELECTRIC GUN

MATERIAL: NYLON FIBER & ZINC ALLOY

HOPUP SYSTEM: ADJUSTABLE

LENGTH: 620MM / 880MM (STOCK EXTENDED)

WEIGHT: 2850G

MAGAZINE CAPACITY: 140 ROUNDS

BULLET: 6MM BB BULLETS

BATTERY: 8.4V 1700MAH

MOTOR: HIGH TORQUE FLAT MOTOR

