

STAR
AIRSOFT ACCESSORIES
www.Starairsoft.com

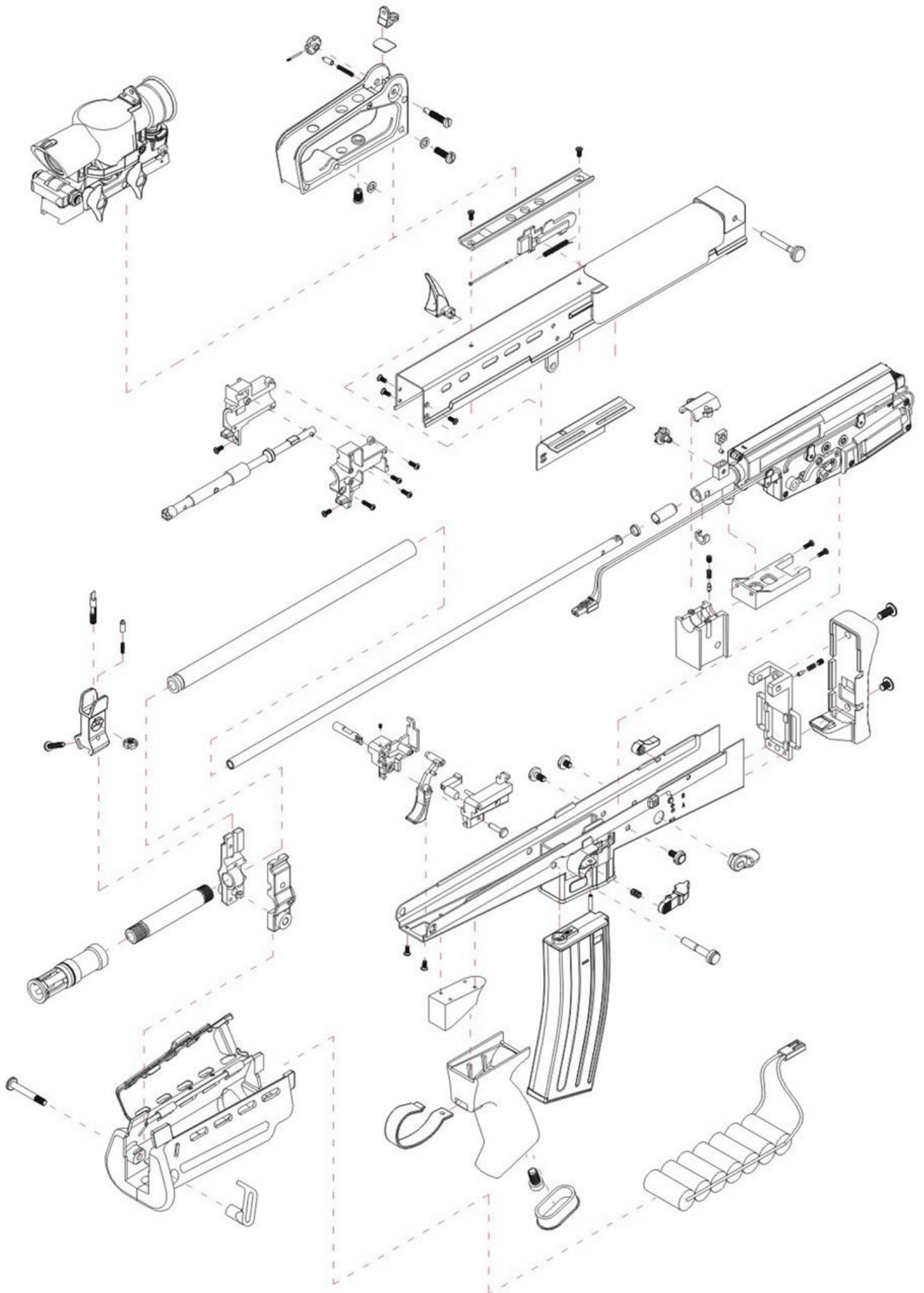


L85 A2

CARBINE



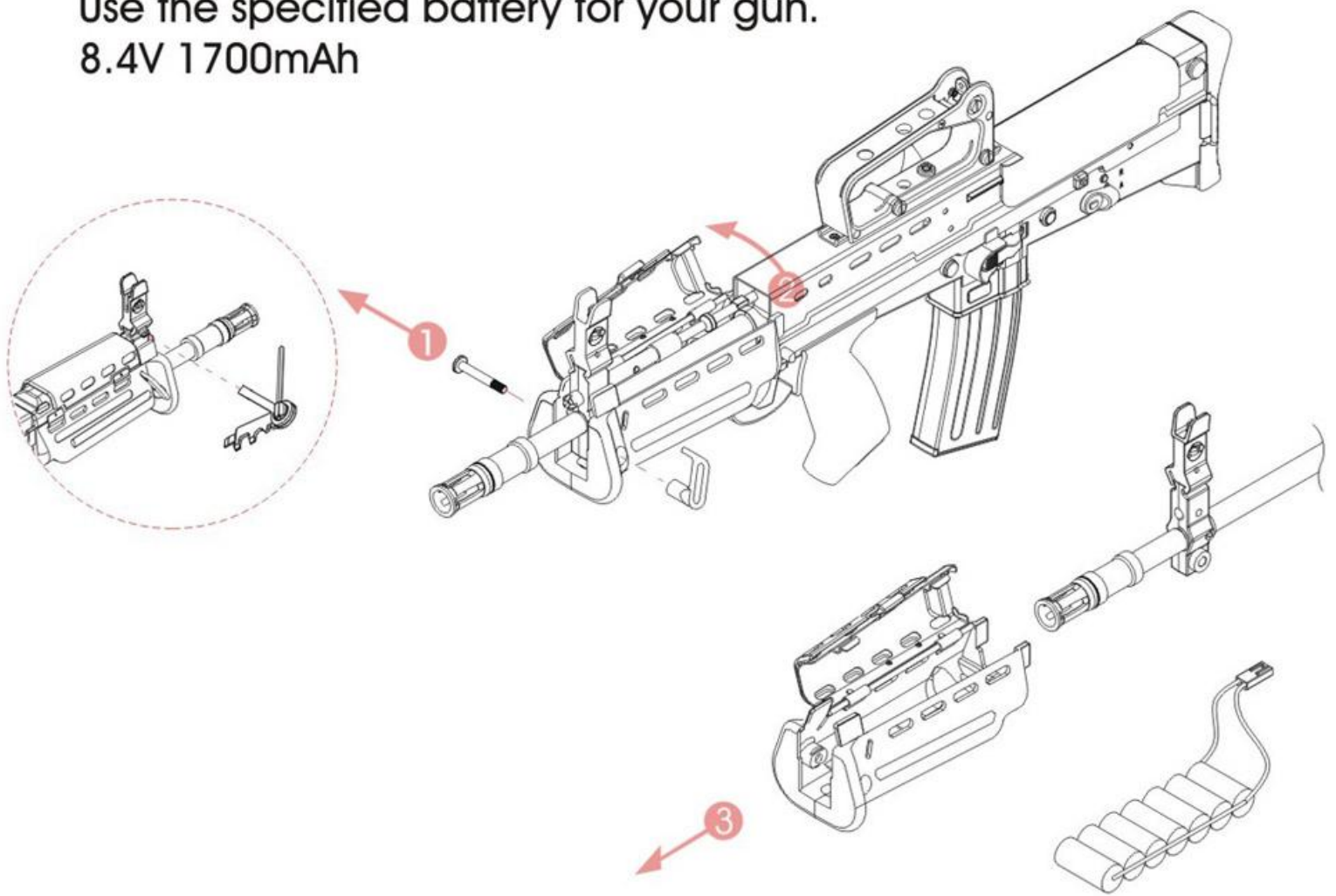
STAR L85 A2 CARBINE



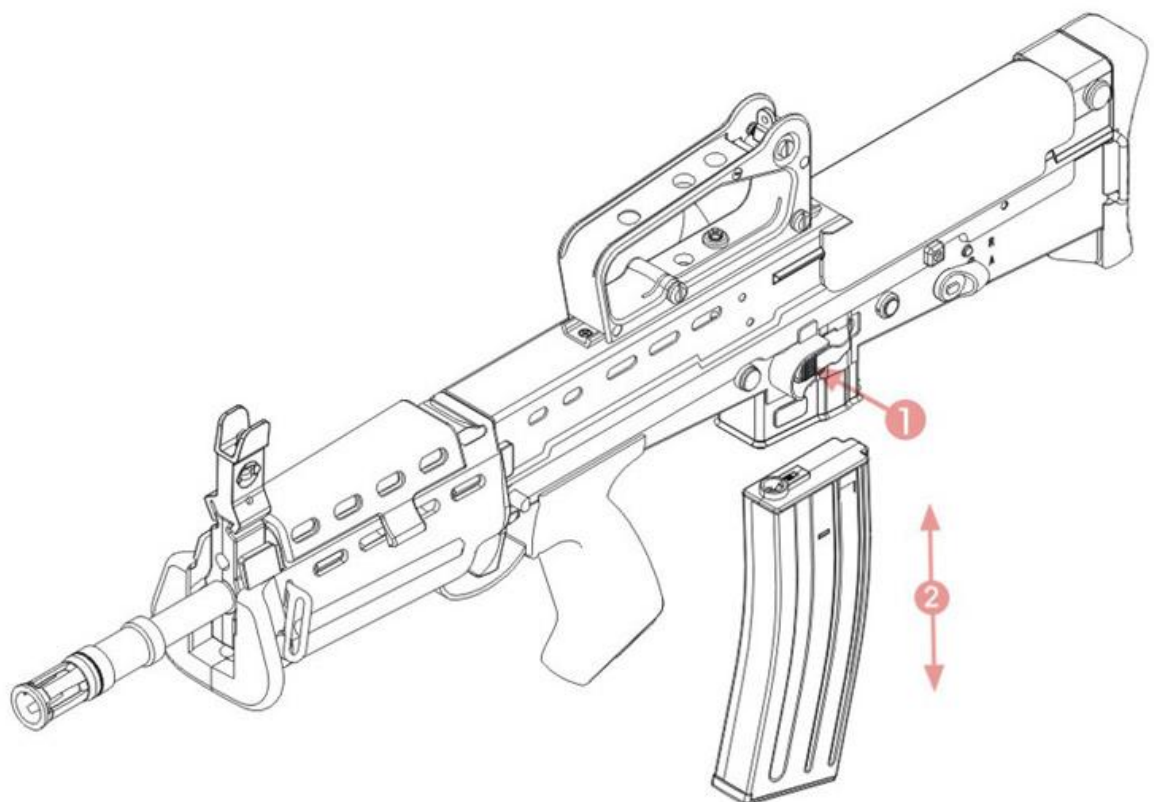
Insert the battery

Use the specified battery for your gun.

8.4V 1700mAh



Setting the magazine



Firing mode

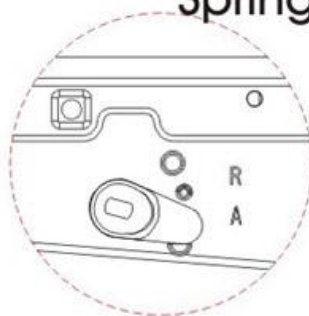
Single



Auto

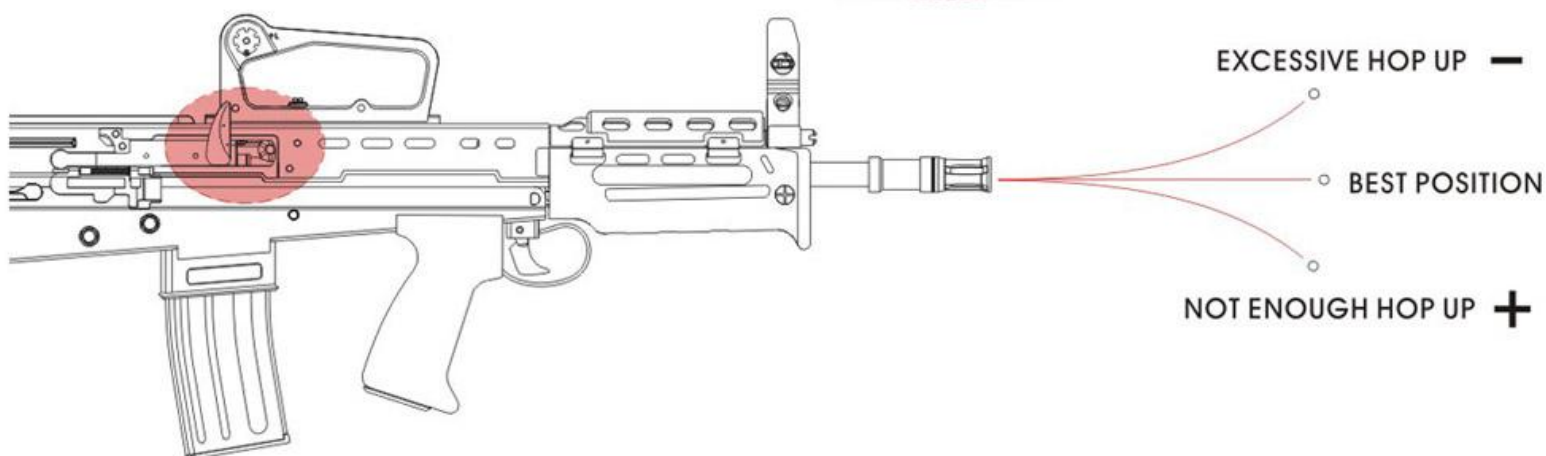
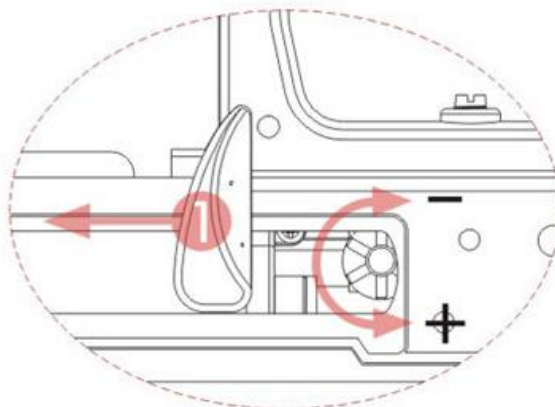


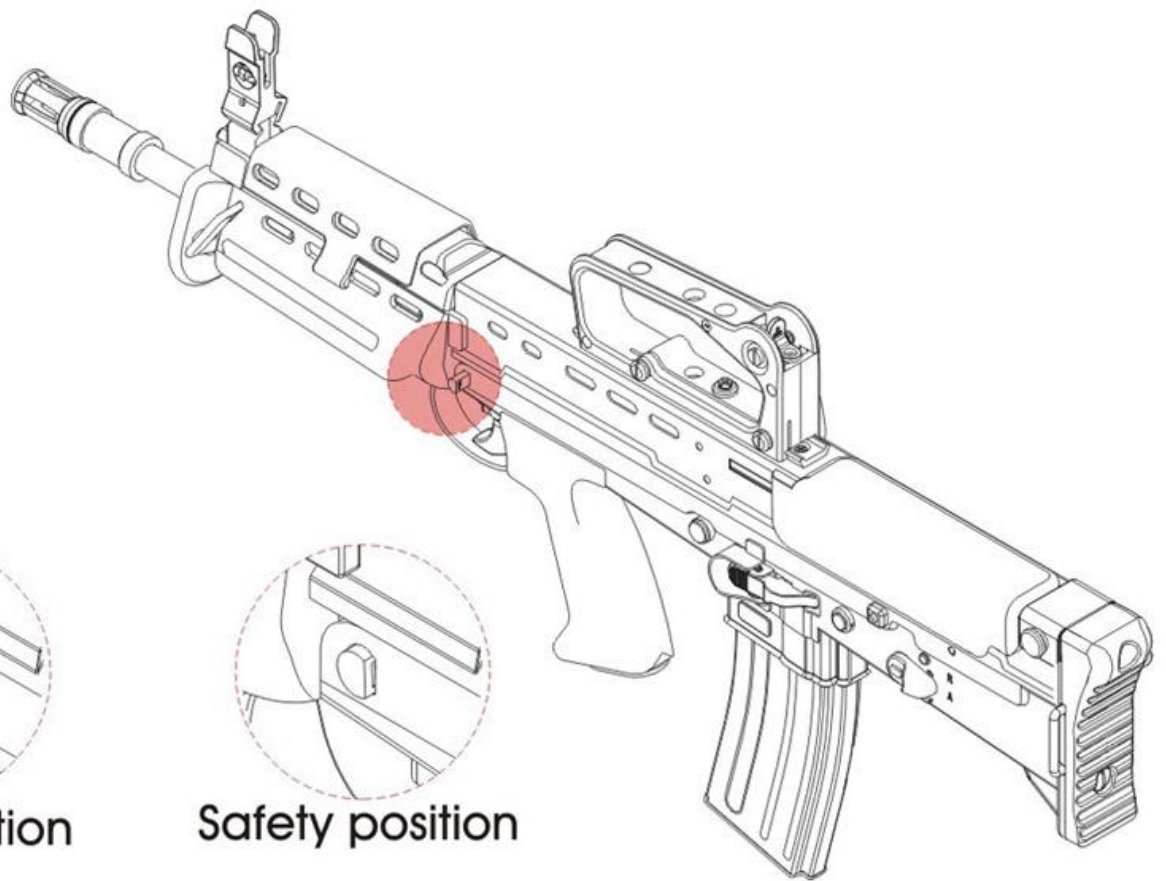
Spring release



* Must to pull the sector back to R or A position after released the spring

Hop-up adjustment





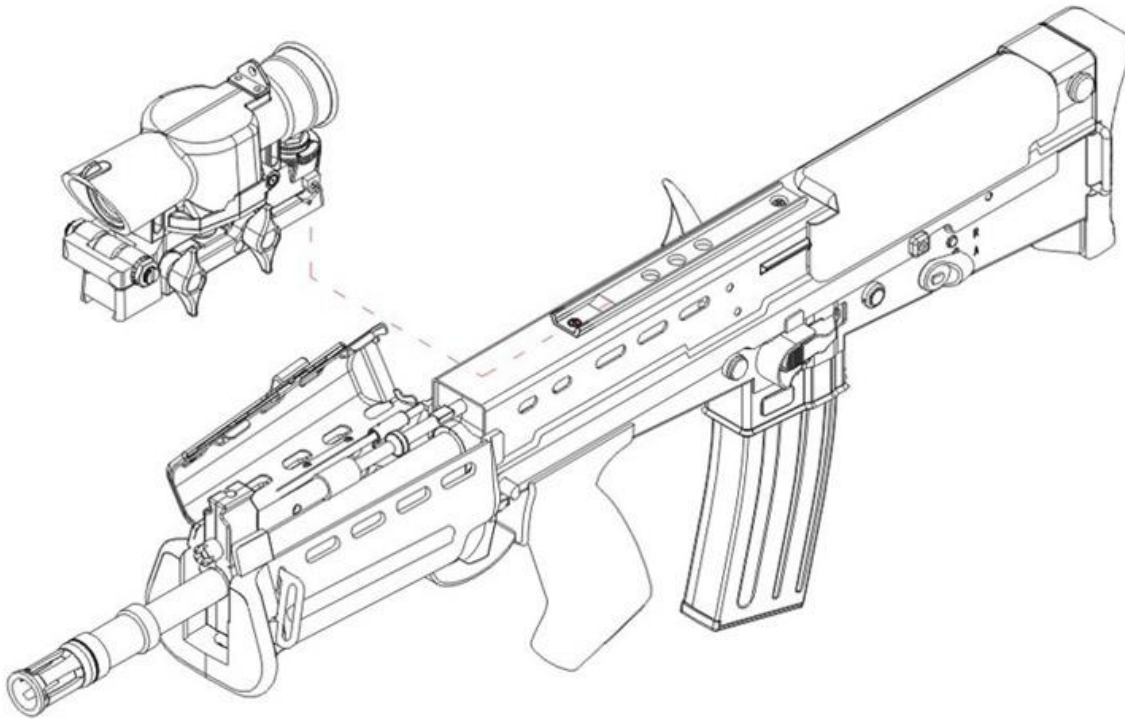
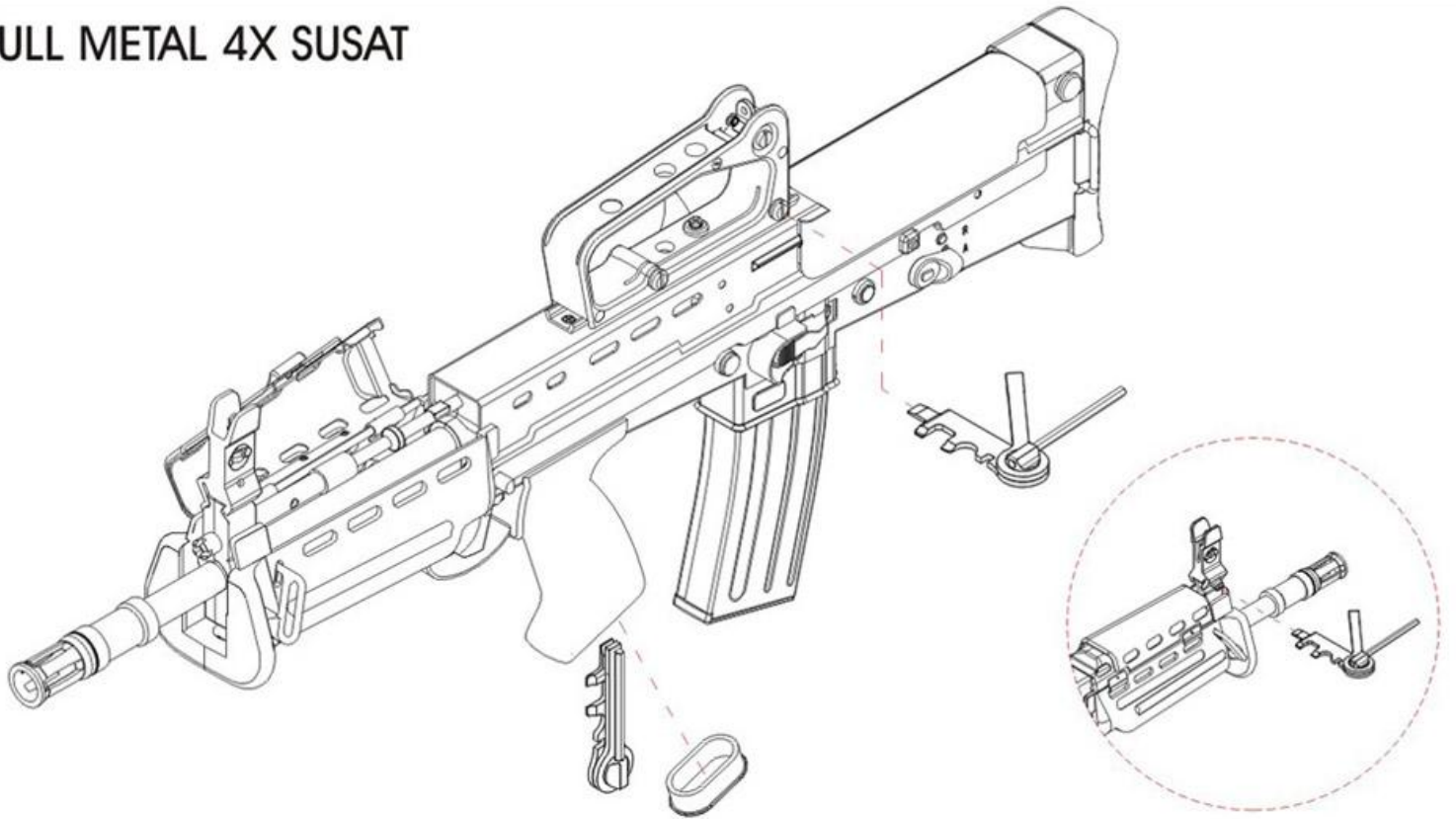
WARNING



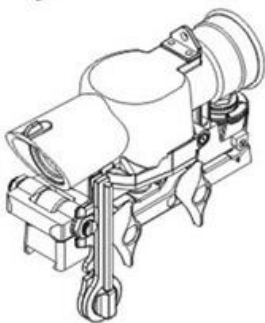
- .Do not aim or shoot a person or animal as the target.
- .Avoid pulling the trigger carelessly.
- .Always put the gun in a case or bag when you carrying it.
- .Always set the switch lever to the safety position.
- .Do not look into the gun muzzle.
- .Always wear eye protective gear.
- .Store the airsoft gun at the places out of reach by children.
- .Do not disassemble or modify the airsoft gun.

Optional accessories

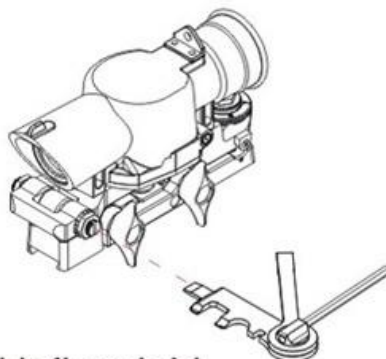
FULL METAL 4X SUSAT



Susat adjustment:



Loose the nut



Adjust left or right



Adjust up or down

DATA OF L85 A2 CARBINE ELECTRIC GUN

MATERIAL: NYLON FIBER & STEEL

HOPUP SYSTEM: ADJUSTABLE

LENGTH: 710MM

WEIGHT: 4235G (WITH SUSAT)

3800G (WITH IRON SIGHT)

MAGAZINE CAPACITY: 130 ROUNDS

BULLET: 6MM BB BULLETS

BATTERY: 8.4V 1700MAH

MOTOR: HIGH TORQUE FLAT MOTOR

