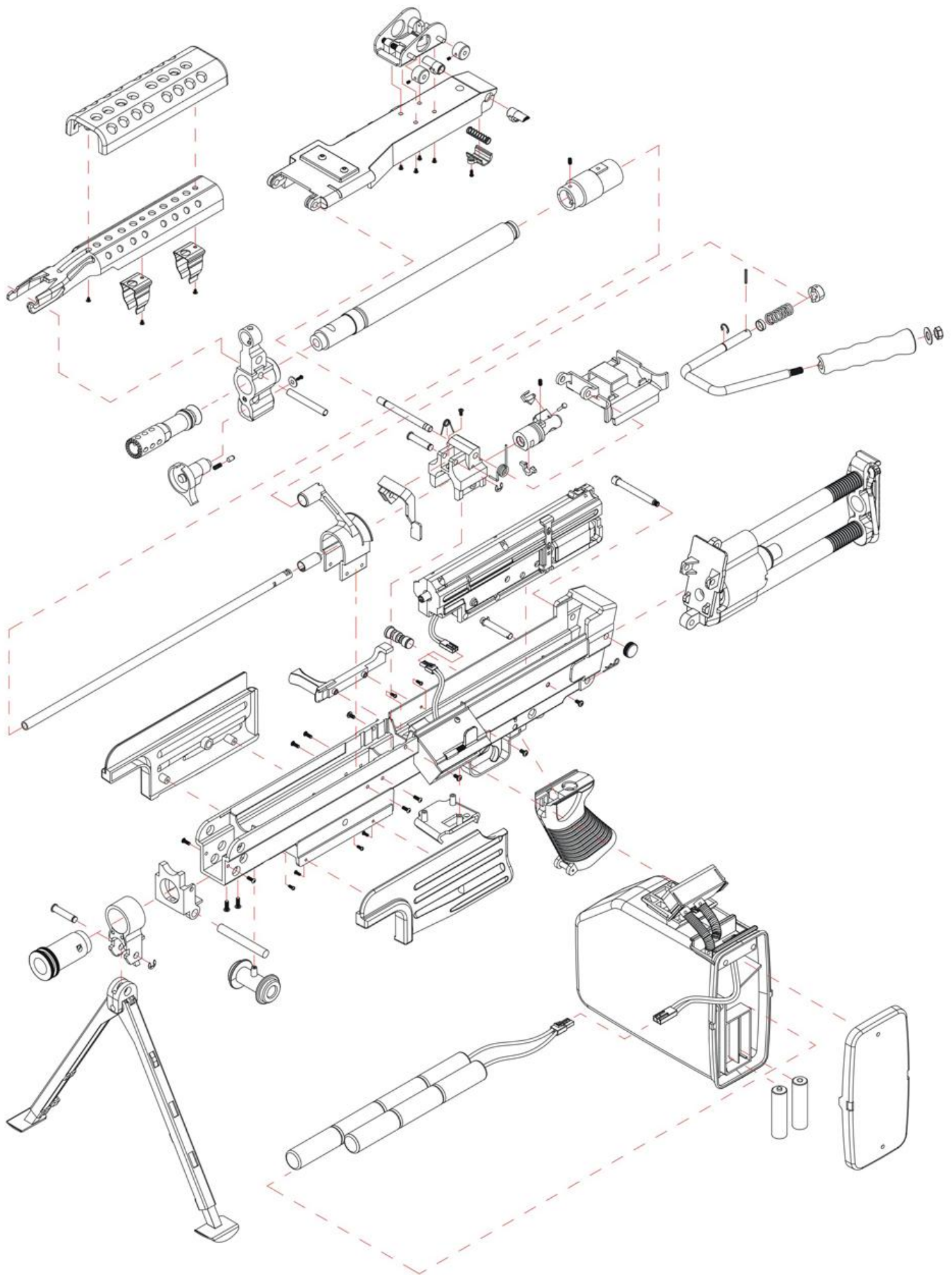
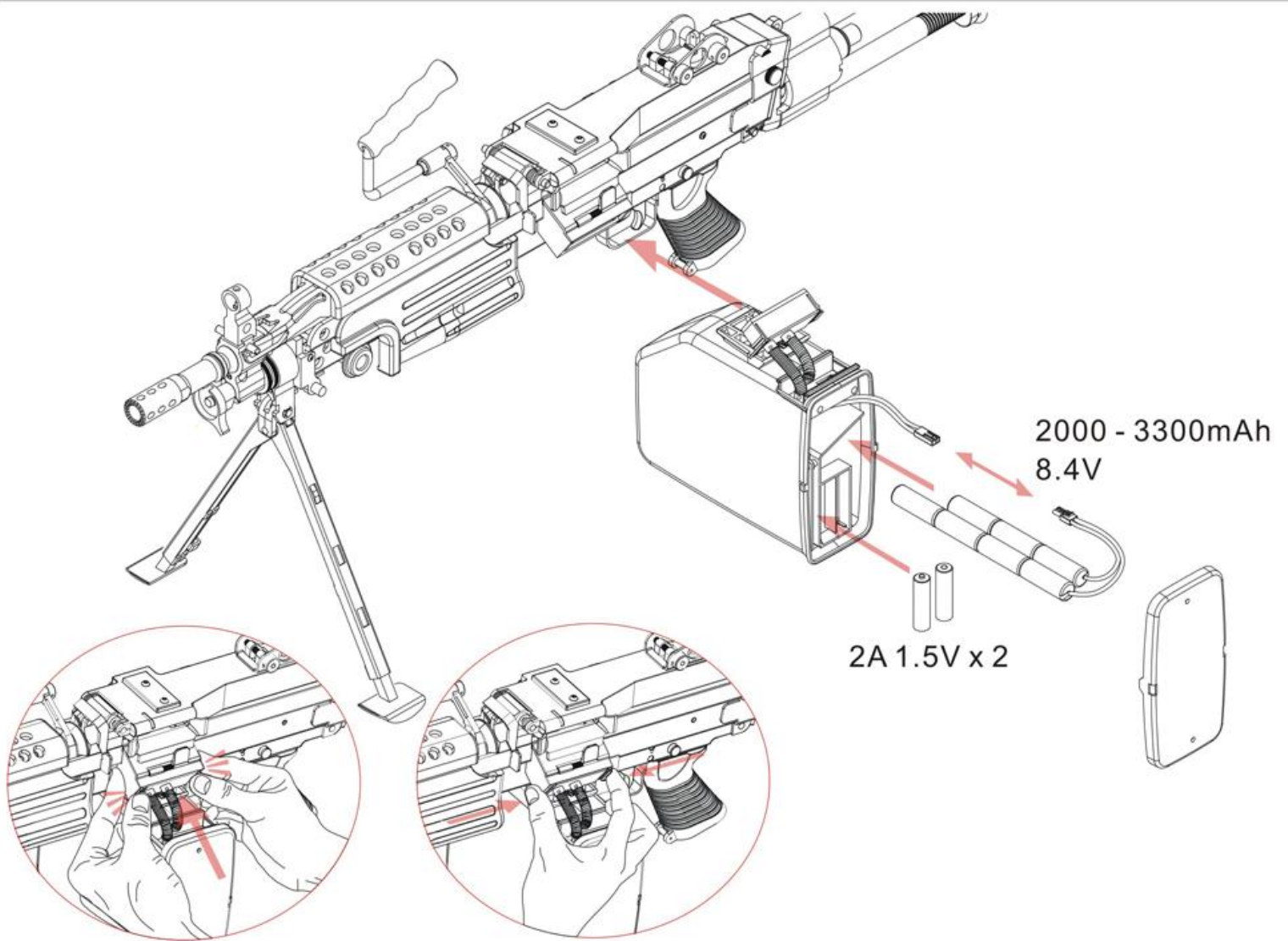


M249 PARA EXPOSE PLAN

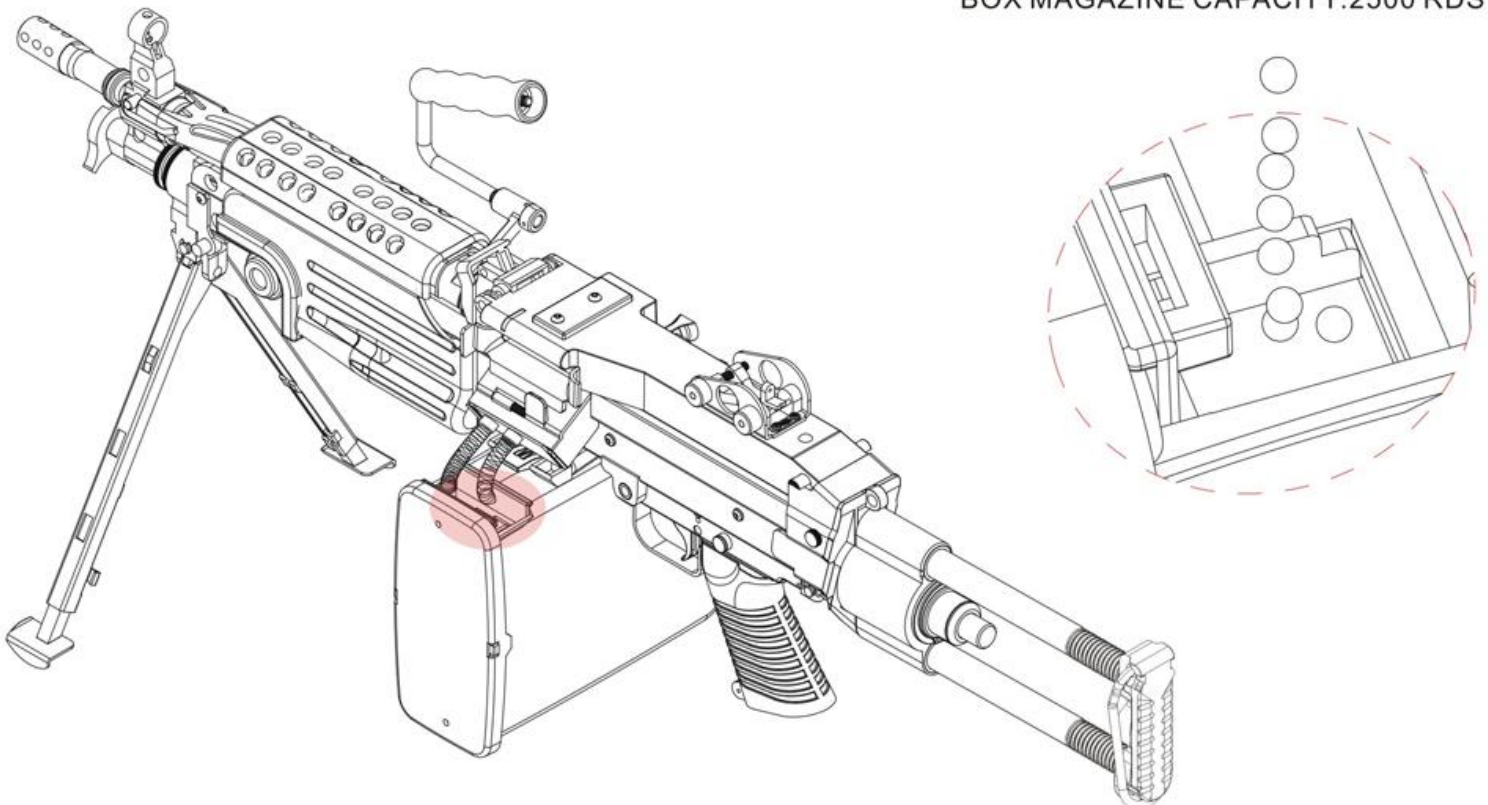


BATTERY INSTALLATION

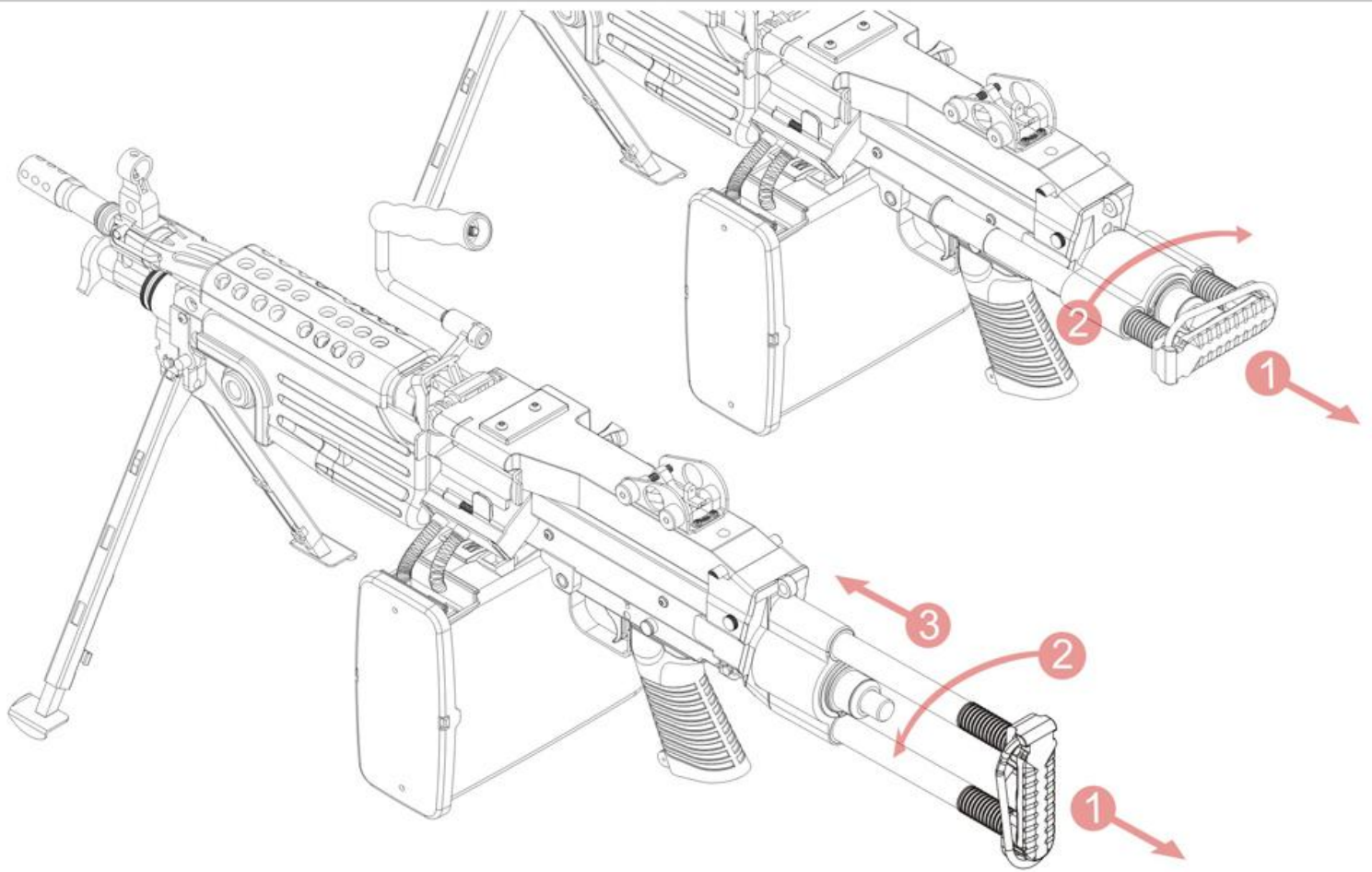


BOX MAGAZINE LOADING

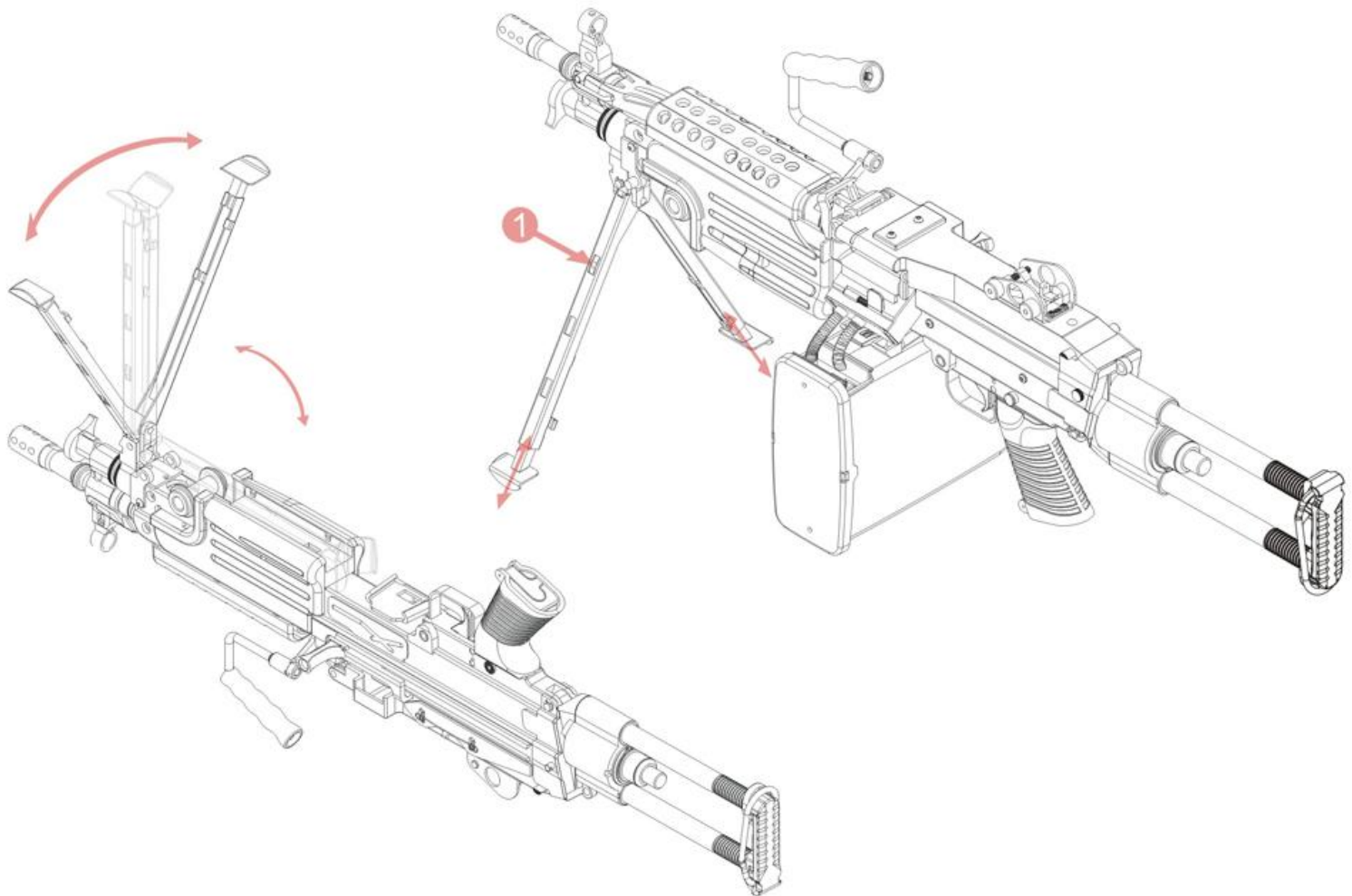
BOX MAGAZINE CAPACITY: 2500 RDS



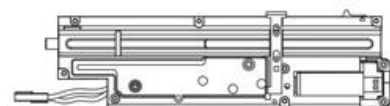
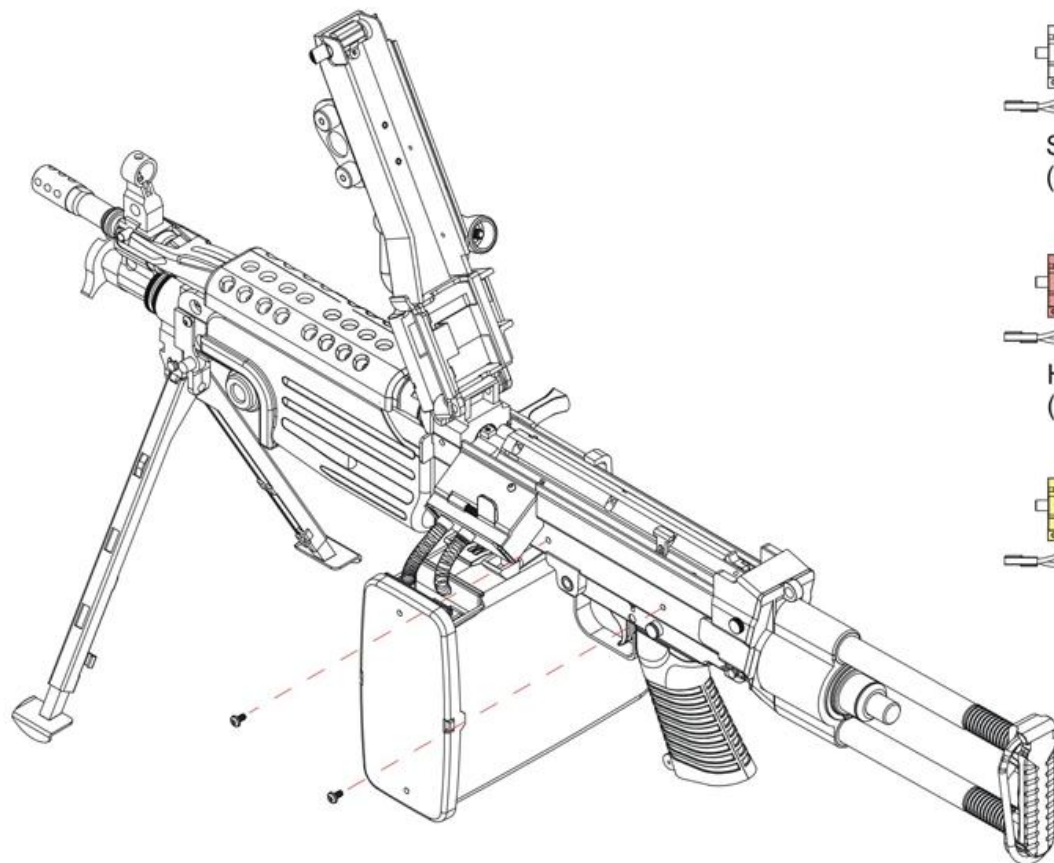
BUD STOCK ADJUSTMENT



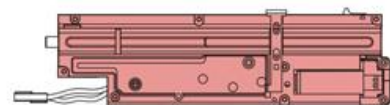
UNDERPROP ADJUSTMENT



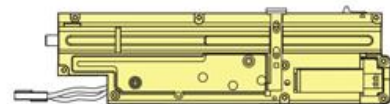
GEAR BOX INSTALLATION



STANDRAD GEAR BOX
(INCLUDED GB-249-02)

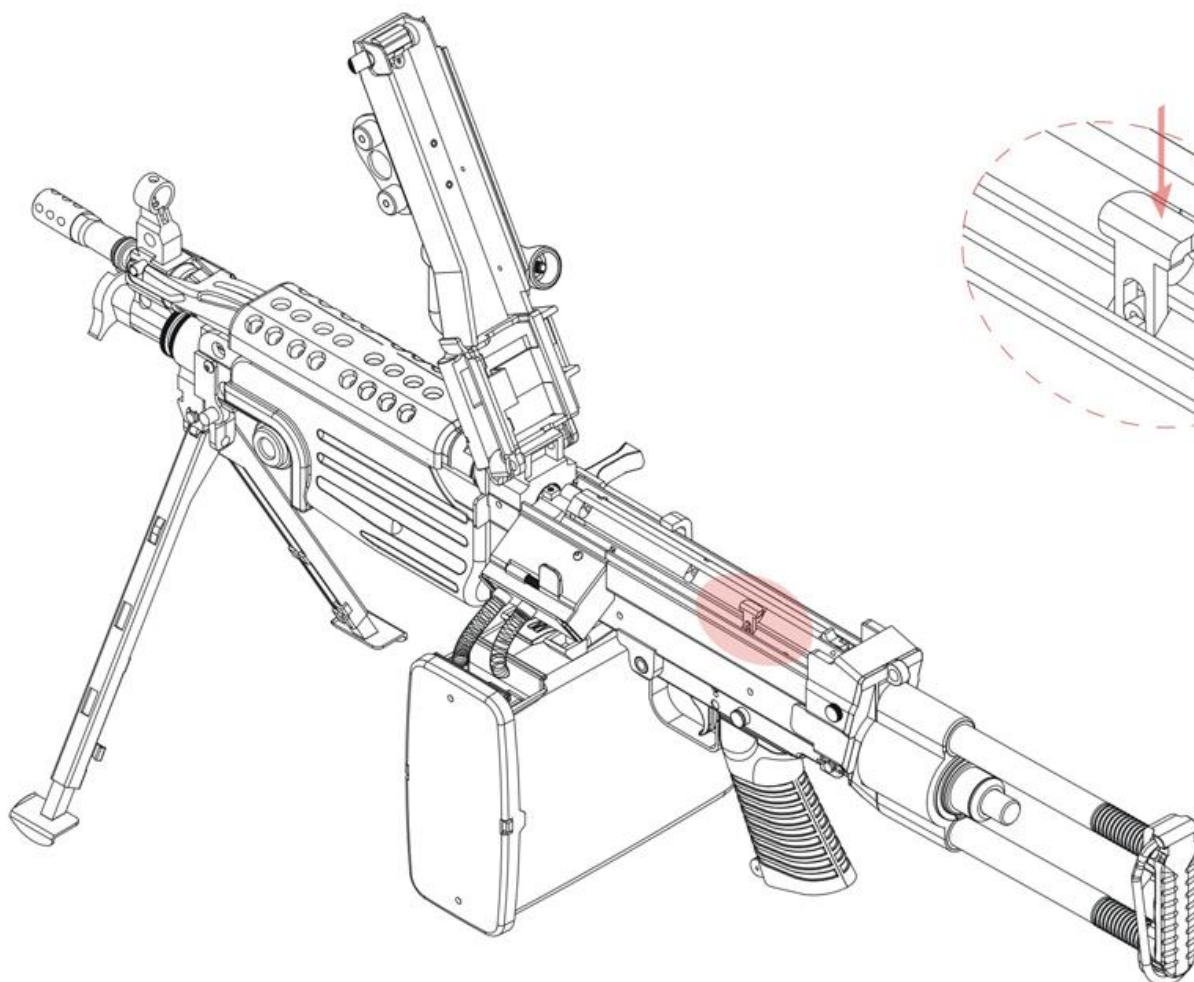


HIGH POWER GEAR BOX
(OPTIONAL GB-249-01)

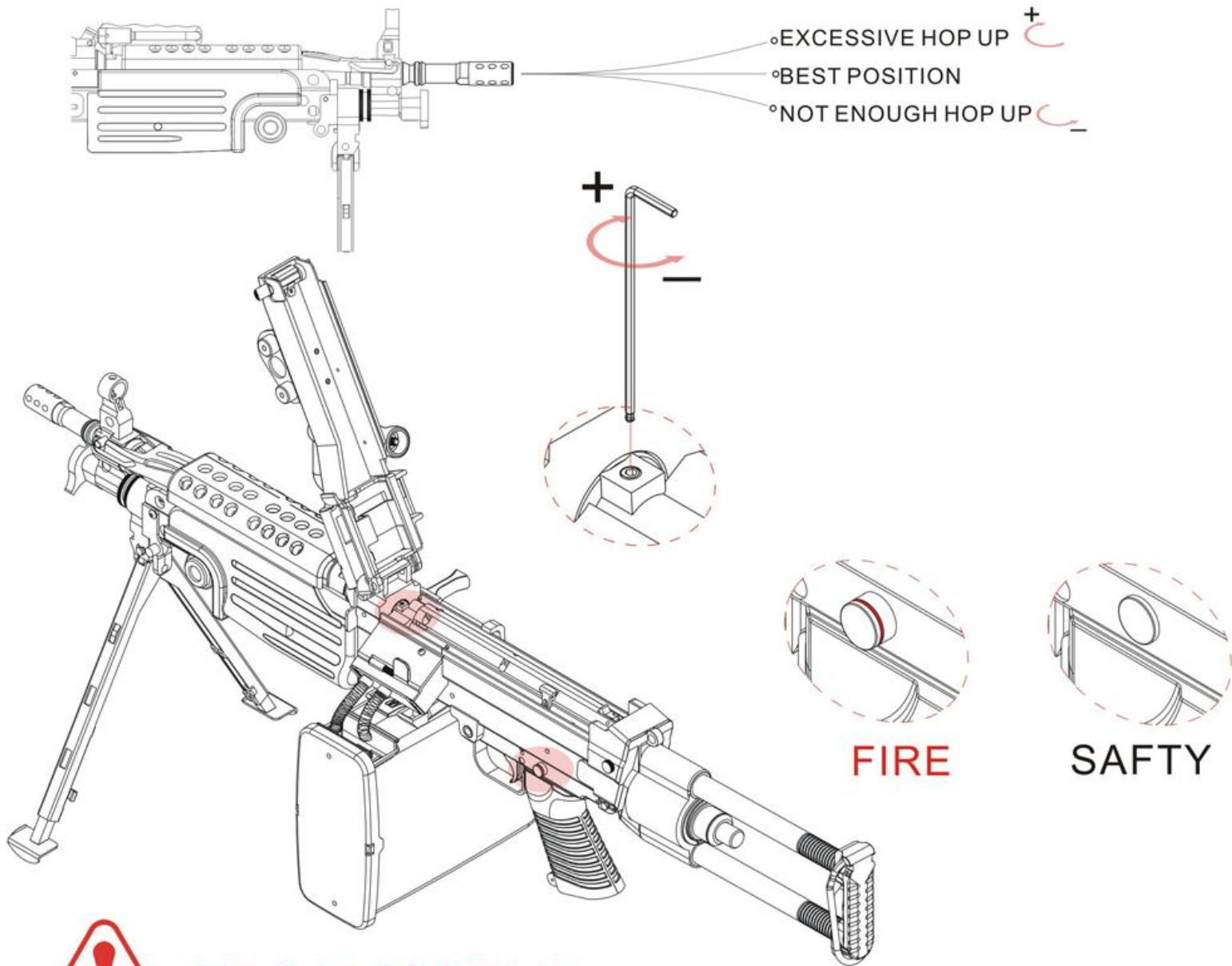


INERIOR GEAR BOX
(OPTIONAL GB-249-03)

SPRING RELEASE



HOP-UP ADJUSTMENT



WARNING



- .Do not aim or shoot a person or animal as the target.
- .Avoid pulling the trigger carelessly.
- .Always put the gun in a case or bag when you carrying it.
- .Always set the switch lever to the safety position.
- .Do not look into the gun muzzle.
- .Always wear eye protective gear.
- .Store the airsoft gun at the places out of reach by children.
- .Do not disassemble or modify the airsoft gun.

Data of M249 PARA Airsoft Electric Gun

Material: Nylon Farbic and Zinc Alloy

HOP System: Adjustable

Length: 792mm/915mm (stock extended)

Weight: 2745g (net weight)

Barrel Length: 345mm

Magazine Capacity: 2500 rounds

Bullet: 6mm BB bullets

Battery: 8.4V battery (2000-3300mAH)

Motor: High Torque Flat Motor