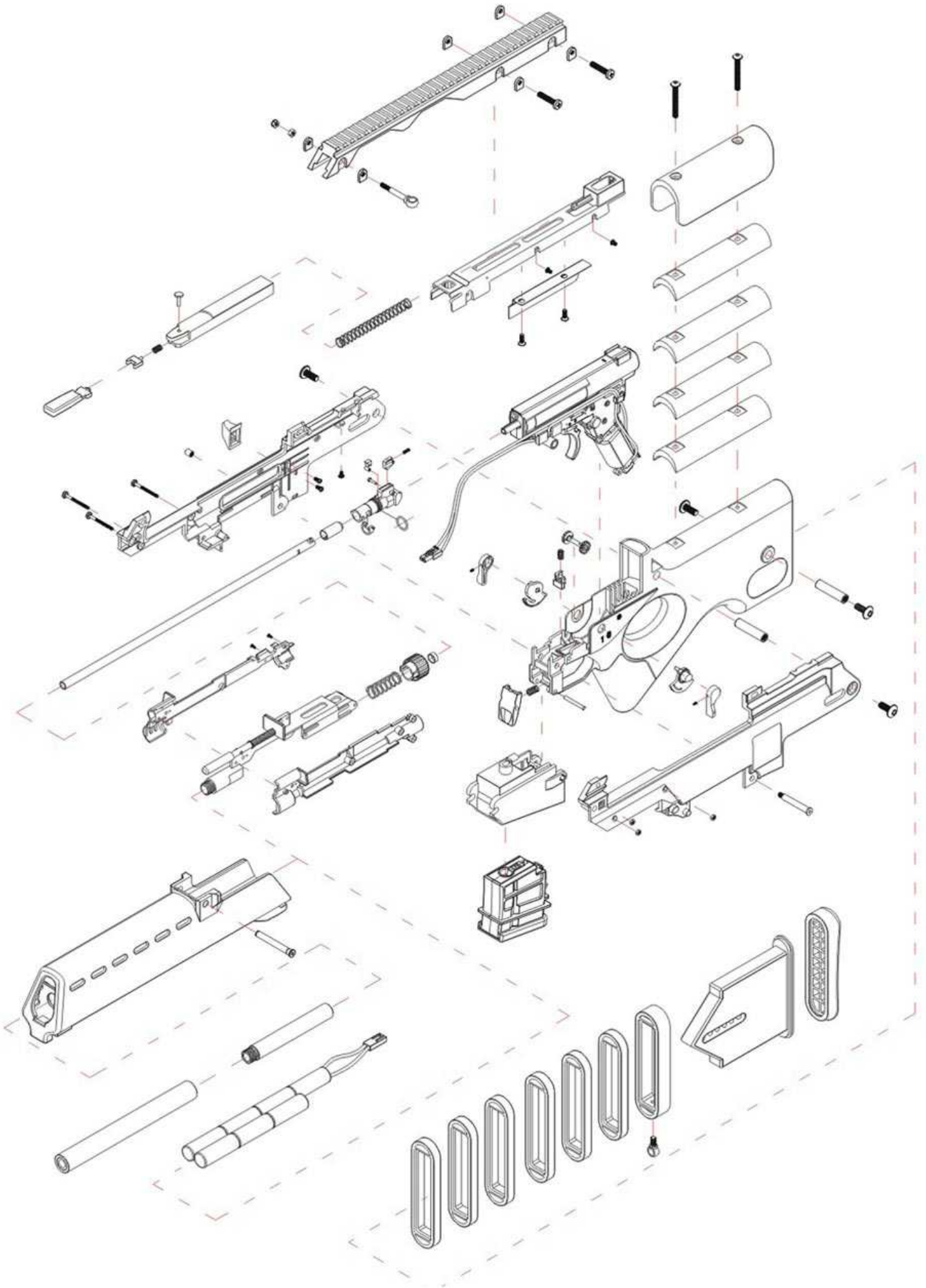
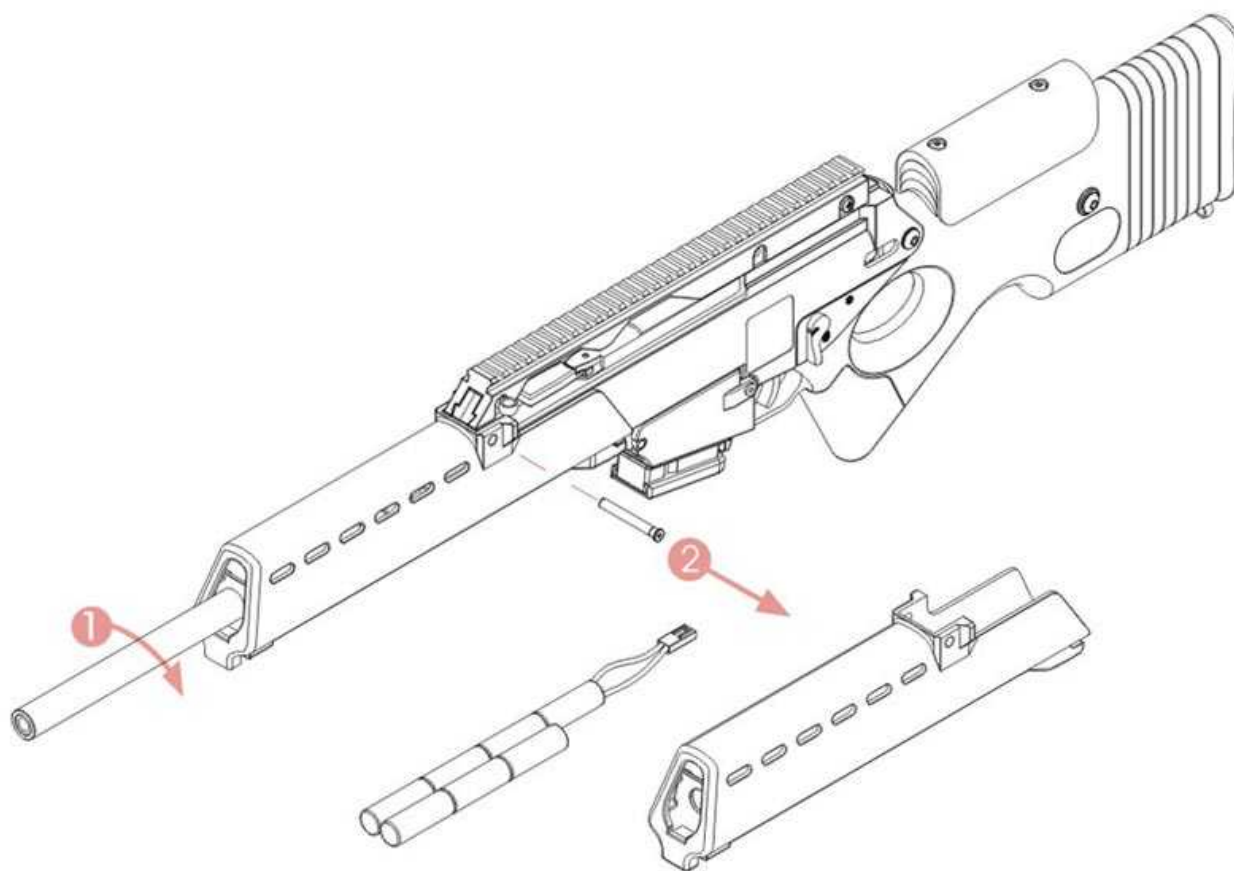


STAR HK SL-9

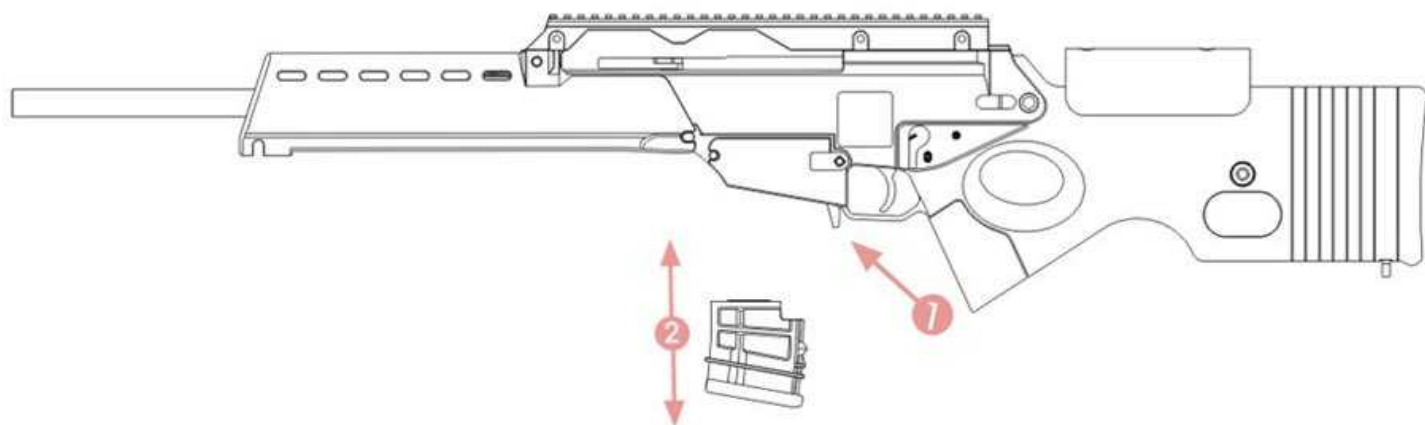


Insert the battery

Use the specified battery for your gun.
8.4V 1700mAh

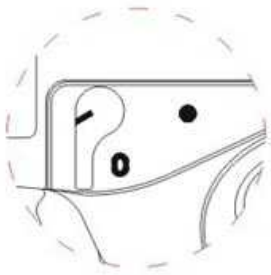


Setting the magazine

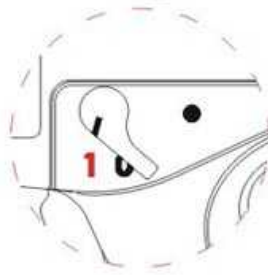


Firing mode

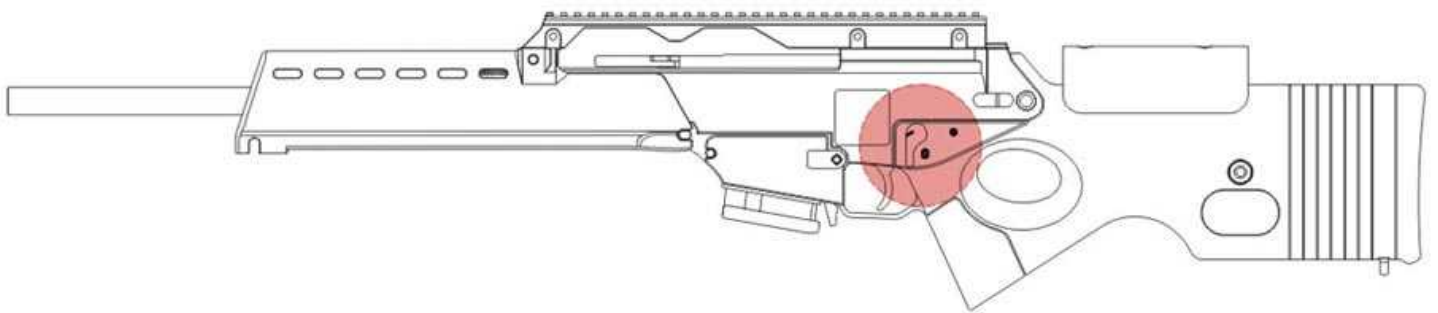
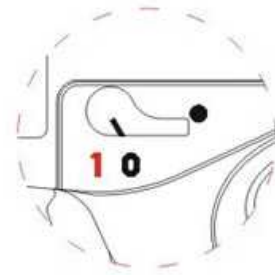
Auto



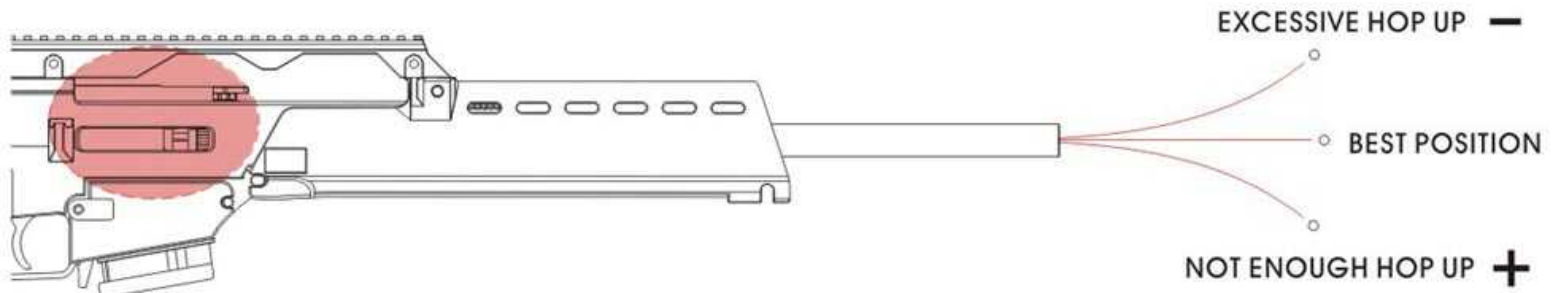
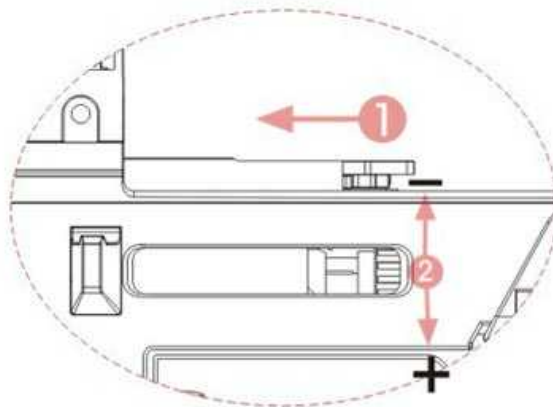
Single



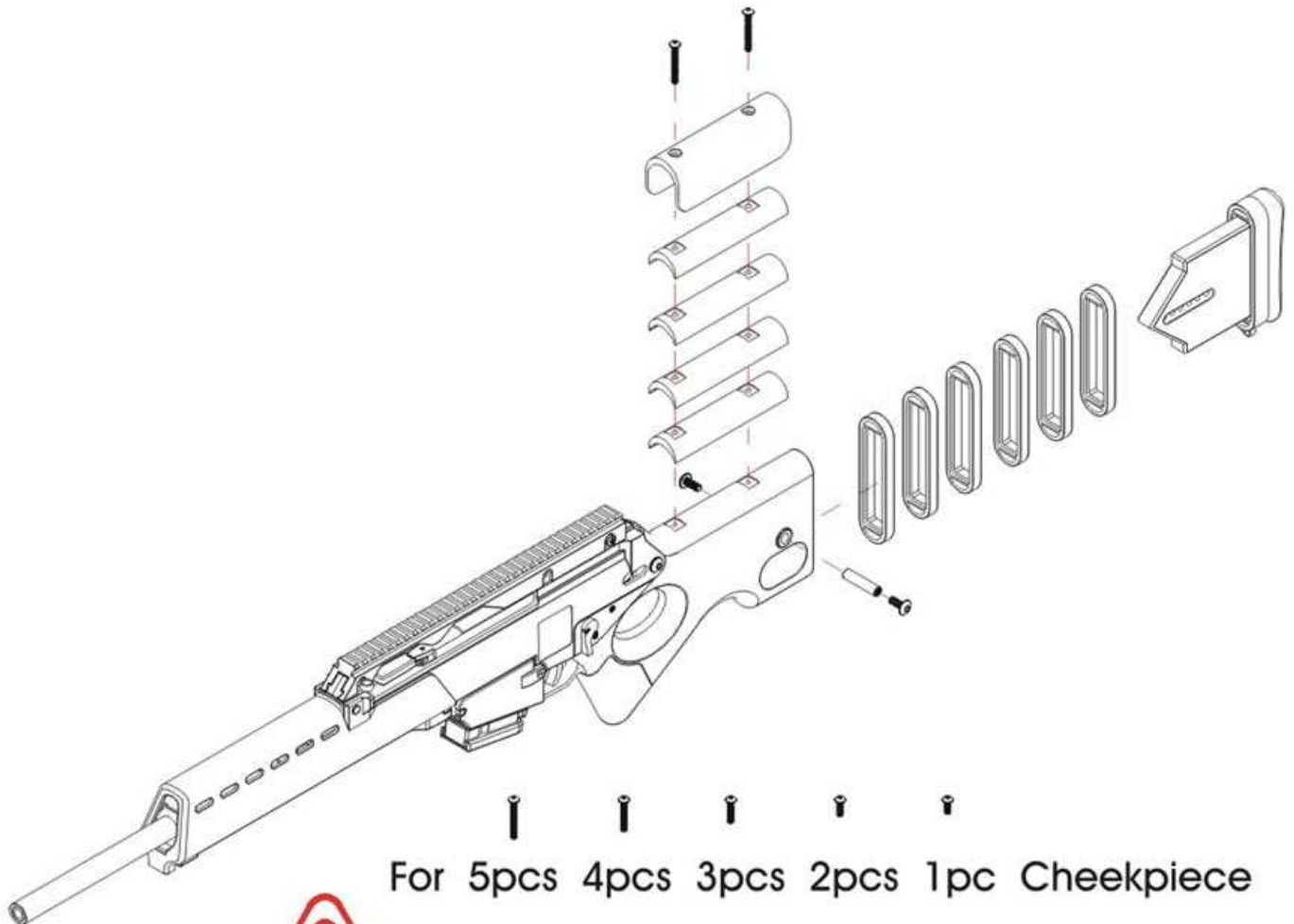
Safety



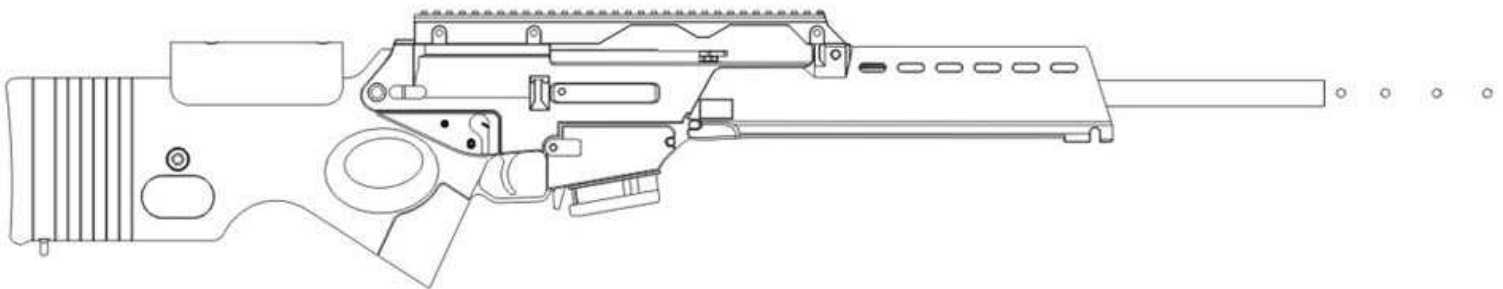
Hop-up adjustment



Butt Pad & Cheekpiece Adjustment



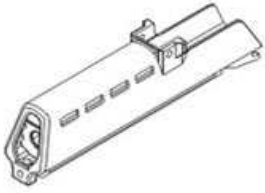
WARNING



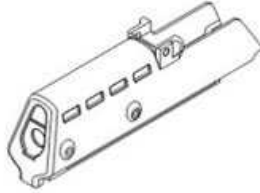
- .Do not aim or shoot a person or animal as the target.
- .Avoid pulling the trigger carelessly.
- .Always put the gun in a case or bag when you carrying it.
- .Always set the switch lever to the safety position.
- .Do not look into the gun muzzle.
- .Always wear eye protective gear.
- .Store the airsoft gun at the places out of reach by children.
- .Do not disassemble or modify the airsoft gun.

Optional accessories

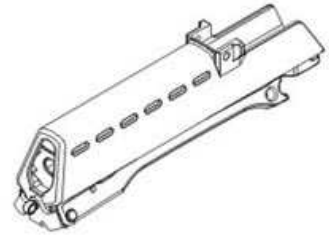
G36KE real size
Handguard



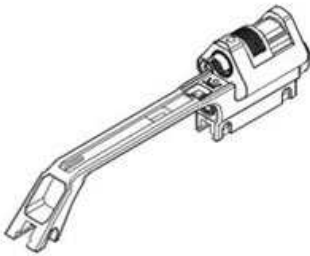
G36KE over size
Handguard



G36 real size
Handguard with Bipod



G36 Dual Sighting Handle



SI-8 Long Sight Rail



G36K Scope with Rail



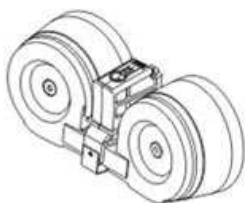
Ag36 Grenade Launcher



Sound Suppressor



2000 Rds C-Mag



470 Rds Mag



140 Rds Mag



DATA OF STAR SL-9 ELECTRIC GUN

MATERIAL: NYLON FIBER & ZINC ALLOY

HOPUP SYSTEM: ADJUSTABLE

LENGTH: 980-1030MM

WEIGHT: 3300G

MAGAZINE CAPACITY: 20 ROUNDS

BULLET: 6MM BB BULLETS

BATTERY: 8.4V 1700MAH

MOTOR: HIGH TORQUE FLAT MOTOR



An exploded view of an airsoft rifle, showing various components like the barrel, receiver, trigger group, and hopper. The components are rendered in a light gray wireframe style against a dark gray background. A horizontal red bar is positioned across the middle of the image, partially overlapping the logo.

STAR
AIRSOFT ACCESSORIES